

RAIS WOOD EXCELLENT FUNCTION & GLOBAL DESIGN



RAIS®



RAIS[®] WOOD

CONTENT

WOOD-BURNING STOVES

Caro	16
Caro SST	18
Pilar	20
Viva L	22
Nexo	26
Juno L	32
600 Max	34
Q-Tee	36
Q-Tee C	38
Q-Tee 2	40
Q-Tee 2 SST	42
Q-Tee 2 C	44
Q-Be	46

FIREPLACE INSERTS WITH SLIDING DOORS

Visio	50
Visio Uniq	53
Visio 2:1	56
Visio 3:1	57
Visio L	58

FIREPLACE INSERTS

500	62
600	64
700	66
900	67
Q-Be	68
2:1	69

HOME DECOR

ACCESSORIES

OUTDOOR

SPECIFICATIONS





AMONG FAROESE SHEEP AND GEESE

An old run-down house surrounded by geese and waterfalls in the Faroe Islands has been renovated with great attention to details. The heart of the home is a RAIS Visio.



Q-TEE 2 WITH A VIEW

On the Applecross peninsula in the Scottish highlands you will find a unique summer residence with panoramic views of the sea and rocks – and with a RAIS Q-Tee 2 as the cosy centre of attention.

ADD A PERSONAL TOUCH TO OUR HOME

A RAIS wood-burning stove is an uncompromising fusion of technology and aesthetics, form and function, design and craftsmanship. It is timeless elegance, carefully designed details, and exclusive quality that lasts. It is happy everyday moments, a much-needed break, and a cosy gathering place in your home.

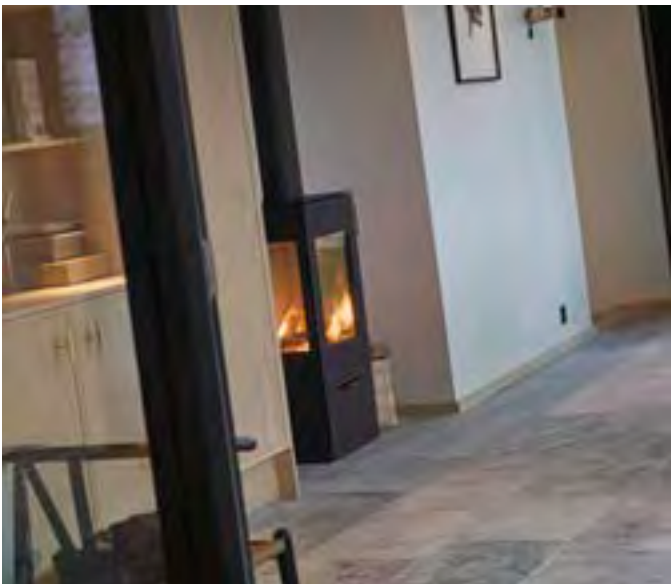
We call it ART of FIRE.

Explore our broad collection, discover how you can design your own stove, and get inspiration on how to decorate your home with a freestanding stove or insert from RAIS.

Enjoy!



WOOD-BURNING STOVES





WOOD-BURNING STOVES FOR ALL KINDS OF HOMES

Do you prefer Nordic minimalism where less is more, or a more creative, experimenting interior style? Regardless of your style and taste, you will find a RAIS stove that adds character to your home and spreads warmth and cosiness.



RAIS CARO



CARO 92



CARO 110 SST



RAIS PILAR



PILAR 192



RAIS VIVA L



VIVA L 100



VIVA L 120



VIVA L 140



VIVA L 160



JUNO L 120
SST



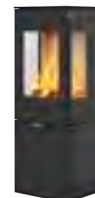
JUNO L 160
SST



RAIS NEXO



NEXO 100



NEXO 120



NEXO 140



NEXO 160



NEXO 185



RAIS 600 MAX



600-2 MAX



600-3 MAX



RAIS Q-TEE



Q-TEE Q-TEE WALL Q-TEE LEGS Q-TEE BASE



RAIS Q-TEE C



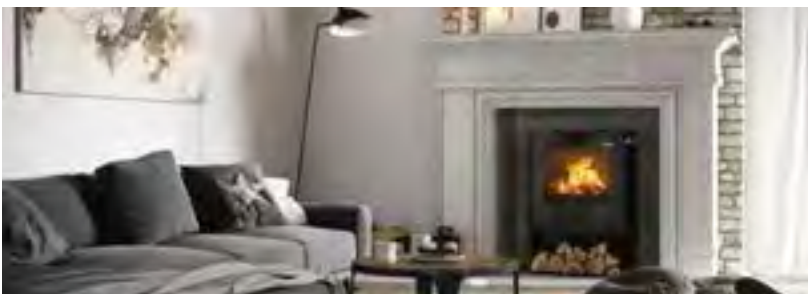
Q-TEE C Q-TEE C WALL Q-TEE C LEGS Q-TEE C BASE Q-TEE C BASE



RAIS Q-TEE 2



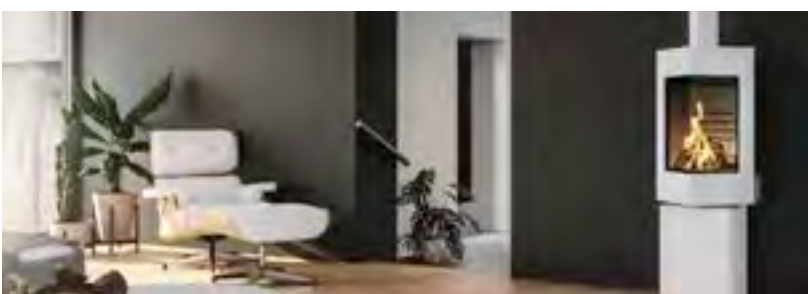
Q-TEE 2 Q-TEE 2 LEGS LOW Q-TEE 2 LEGS HIGH Q-TEE 2 BASE LOW Q-TEE 2 BASE HIGH



RAIS Q-TEE 2 C



Q-TEE 2 C Q-TEE 2 C LEGS LOW Q-TEE 2 C LEGS HIGH Q-TEE 2 C BASE LOW Q-TEE 2 C BASE HIGH Q-TEE 2 C SST



RAIS Q-BE



Q-BE Q-BE XL

UNIQUE RAIS DETAILS

It is the details that make the difference and give the feeling of having something that is very special. Here we present a number of details that make Rais unique in form, function and quality.



THE DIFFERENCE LIES IN THE DETAILS

A crackling fire with beautiful flickering flames is the essence of warmth and cosiness. That is why all RAIS stoves put the flames at the centre and allow them to fill the room visually.

RAIS stoves are distinguished by their exceptionally large glass panes that make the flames the natural focal point of your home. The **extra-large panes** offer an exceptional **panoramic view** of the fire which is a distinctive and unique RAIS feature.

Several models are also available with large side panes allowing you to enjoy the flames from almost anywhere in the room.



Photo: @moapyn ten

For the ultimate fireplace experience choose your wood-burning stove with a **revolving base**. Mounted on a revolving base, you can turn your stove 360 degrees and enjoy the flames and fireplace ambience from every corner of the room.





Our **Advanced Glass Concept®** effectively minimises soot build-up on wood stove glass and ensures that you can always enjoy a beautiful view of the flames through clean panes. Soot build-up is avoided by getting to operational temperatures quickly and by ensuring high temperatures in the combustion chamber. We ensure this process by using **coated glass and two-layered glass** that reflect the radiant heat. Read more about our Advanced Glass Concept® on page 86.



DESIGN DOWN TO THE SMALLEST DETAIL

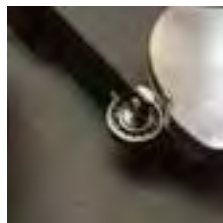
At RAIS we strive to create timeless design and quality that last year after year. Nothing is left to chance, and everything is carefully considered down to the smallest detail. Our uncompromising attention to detail explains why several RAIS wood-burning stoves have received internationally acknowledged design awards over the years.

You can design your own RAIS stove with our Customizer feature. Choose between a broad range of combinable components and add a unique and individual design to your stove.



One of the many small details that makes a big difference is the stove door closing mechanism. The **closing mechanism** is made from premium quality materials and is designed with two closing hooks that ensure an airtight combustion chamber and thus an effective utilisation of the firewood. The unique construction of the two closing hooks also ensures that the door closes softly and discreetly - with the **sound of quality**.

RAIS stoves are distinguished by their user-friendly design. An example is our **air damper systems** with easy-to-understand symbols and rubber covering to ensure an easy, comfortable and correct operation of the damper and air supply.



In addition, the damper is constructed with ball bearings that reduce noise during handling and add to a superior user experience. When you operate the air damper, the ball bearings also ensure that you can easily feel whether the air damper is in the middle, closed or fully open position.





DESIGN YOUR OWN STOVE

DESIGN YOUR OWN STOVE

Tastes differ and so do our homes and interior styles. Consequently, RAIS offers you the opportunity to create a personalised stove design that reflects your home, décor and style.

Choose between **various colours, heights and handles** to customise your stove and make it the perfect fit for your home.

RAIS' colour palette includes a selection of beautiful Nordic shades. To ensure a complete and aesthetic solution, **top plates and flue pipes** are available in the same carefully selected colour scale.

Top plates are also available in stainless steel and soapstone.



MAKE A CHOICE



PROTECTING NATURE

For a guaranteed eco-friendly combustion and superior firewood utilisation, we recommend one of our air supply systems – **CleverAir or ElectronicAir** – a mechanical and an electrical system that regulate the air supply to the combustion.

By choosing one of our **air supply systems**, you do not have to manually regulate the stove's air supply and are guaranteed efficient and correct **air supply** throughout all combustion phases. In other words, you are only required to start the fire and feed it new logs occasionally – the stove automatically takes care of the rest.

Read more on page 87.



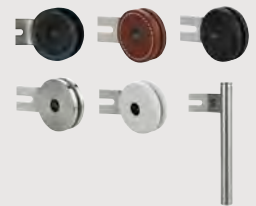
CleverAir



Electronic Air



DESIGN YOUR OWN STOVE



1



2



3



MODEL

Choose your favourite wood-burning stove in the exact height that matches your home.

COLOUR

RAIS wood-burning stoves are available in a selection of popular, Nordic shades.

HANDLES

A handle is a small detail that makes a big aesthetic difference.



DESIGN YOUR OWN WOOD-BURNING STOVE

Use our Customizer and design your own wood-burning stove. explore the many options and create a personalised design.

Use the Customizer feature on our website www.rais.com to easily design your own wood-burning stove and to explore our comprehensive range of design options, before you make up your mind.

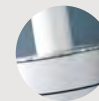
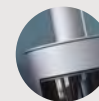
We invite you to mix, match and experiment until you find your preferred style and look.



CleverAir



Electronic Air



4

DOORS

Choose between an all-glass door or with a steel flame.

5

AIR SUPPLY

Choose ElectronicAir or CleverAir for easy, cost-effective and eco-friendly operation of your stove.

6

FLUE PIPES

Flue pipes are available in the same Nordic colour scale as the stoves.





RAIS CARO

Caro is a relatively small stove in a beautiful oval design with a light and elegant appearance that makes it ideal for small spaces and summer cabins. Even though small in size, Caro offers a spectacular view of the flames through the wide side glass panes and the glass door and brings a cosy fireplace ambience into your home. To ensure clean glass panes and an unobstructed view of the beautiful flames, Caro has coated glass panes that minimises soot build-up.

Choose between various colours, handles and other options to design your favourite version of Caro.

DESIGN YOUR OWN STOVE







RAIS CARO SST

DESIGN YOUR OWN STOVE

Caro SST is the renowned Caro model equipped with soapstone. The raw, natural soapstone creates a rustic contrast to the stove's oval shape, and the beautiful markings on the stone underline the stove's elegant expression. The soapstone also has a practical function as it accumulates the heat from the stove and releases it slowly over time to ensure that the stove temperature is above room temperature for 4 – 5 hours.

Even though small in size, Caro SST offers a spectacular view of the flames through the wide side panels and the large glass door.

Choose between various colours, handles and other options to design your favourite version of Caro SST.





RAIS PILAR

Pilar is the epitome of sculptural elegance. It is a distinctive eye-catcher that adds character and personality to your home.

With a height of almost two metres, Pilar fills the room. It immediately catches the eye with its sculptural design that is simple and elegant, yet striking and spectacular at the same time.

The large and beautifully rounded glass door offers a unique and exceptional view of the fire burning freely in the grand combustion chamber. The solid and powerful handle underlines the superior quality of the stove.

DESIGN YOUR OWN STOVE

Options include manually operated air damper, CleverAir system, and ElectronicAir for remote control operation of air supply.





RAIS VIVA L 120



DESIGN YOUR OWN STOVE



reddot design award
winner 2017



Photo: @mospynten

RAIS VIVA L 160

RAIS VIVA L

Viva L is round as a pillar with a sculptural expression and a timeless aesthetic.

It is a super simple wood-burning stove – round, elegant and sculptural. The beautifully curved door and the discreet round handle perfectly complement the design of the stove.

Choose between a range of design options to create a customised version of Viva L that matches your home and interior style.

Also available in gas.





RAIS VIVA L 140



RAIS VIVA L 120



RAIS VIVA L 100





Photo: @thenordicbarnhouse

RAIS NEXO 100

RAIS NEXO

Simplicity and straight lines. Symmetry and right angles. This is the essence of Nexo.

Its cube-like and clean-cut design is discreet yet distinctive at the same time. Nothing interrupts the seamless surface except from the dancing flames behind the large, rectangular glass windows.

With its understated aesthetics Nexo complements all types of interiors but is absolutely perfect for contemporary architectural design and minimalist decors.

Design your favourite version of Nexo. Choose between a wide range of optional details such as colour, height, handle and with or without side glass panes.

Also available in gas.

DESIGN YOUR OWN STOVE



RAIS NEXO 185





RAIS NEXO 100



RAIS NEXO 160



DECORATE WITH MULTI BOXES

Combine your new wood-burning stove with multi boxes to create a customised look and a personal décor style.

In combination with multi boxes your stove will appear as an integrated part of a timeless piece of furniture. Place the multi boxes as you like and use them as a bench, to store firewood - or perhaps both.

Multi boxes are available for Nexo, Viva L, Q-Be, Q-Tee 2 and 600 Max.



Photo: Lindawage



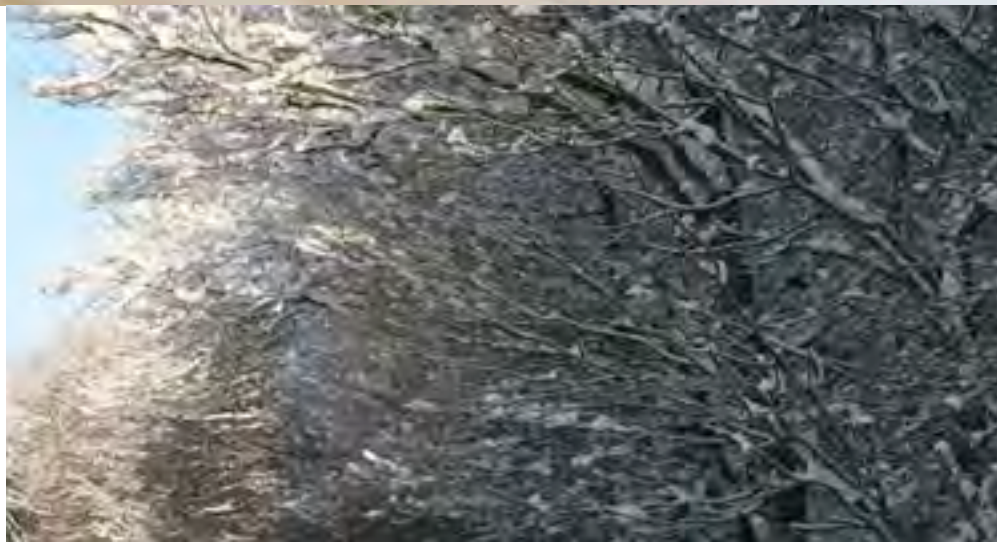


THE NORDIC BARN HOUSE THE ARCHITECT'S FAVOURITE!

In the middle of nature, surrounded by forest on a beautiful piece of land, a Danish family has built a contemporary version of the traditional two-winged farmhouse – The Nordic Barn House. The new farmhouse encompasses the family's private residence, the residents' architects practice, an orangery, and a workshop. The whole house is distinguished by its exceptional architectural details and beautiful quality materials.

Three RAIS stoves have found their way into the peaceful forest home: A RAIS Viva L allows the residents to spend time in the orangery even on cold days, a RAIS Visio L brings a cosy fireplace ambience into the carpenter-made kitchen, and in the architect's practice a RAIS Nexo perfectly complements the exclusive interior.





DESIGN YOUR OWN STOVE



RAIS JUNO L 120

RAIS JUNO L

Enjoy nature's own aesthetics and functionality with pillar round Juno L lined with beautiful, heat accumulating soapstone.

Only the large glass window and the elegant handle break the soapstone's beautiful surface and sophisticated natural pattern in tone-in-tone greys.

The soapstone adds a beautiful visual effect but also has a practical function. It absorbs heat, releases it slowly over time and ensures an efficient and comfortable heating of your home with a stove temperature above room temperature for 10-12 hours.



RAIS 600-2 MAX

600 MAX

600 MAX is an elegant free-standing wood-burning stove with a stylish 4 mm steel frame and a beautiful view of the flames through the large front glass and the tall side glass panes.

The combustion chamber rests on a base that also serves as a spacious drawer and storage space for for example firewood. The drawer has a discreet handle and opens and closes smoothly without a sound.

Combine 600 MAX with a multi box and use it as a bench or for storing firewood. You can also choose 600 MAX with a Heat Storage Module to get the most out of your firewood.

DESIGN YOUR OWN STOVE



reddot winner 2021
best of the best

RAIS 600-3 MAX



Photo: @lillaspisbutiken



RAIS 600-3 MAX



RAIS Q-TEE

There is no need to miss out on the full fireplace experience even though you are living in a small-sized home. Q-Tee is a small and elegant stove that has it all: great design and an efficient, eco-friendly combustion.

With its compact and upright design Q-Tee is the perfect choice for even small living spaces.

DESIGN YOUR OWN STOVE



RAIS Q-TEE WALL



RAIS Q-TEE 57



RAIS Q-TEE C ON THE WALL





RAIS Q-TEE C W/BASE

Q-Tee C is a small, elegant wood-burning stove with a beautifully rounded form and an organic expression. You can choose between a broad range of optional design details and customise the stove to match your style and home décor. Choose between for example glass and steel door and handles in black or brown leather, black oak or stainless steel.

Q-Tee C inspires you to decorate your home exactly as you prefer it: Place the stove on the floor on a plate or a concrete bench, hang it on the wall, or choose it with a base or legs for a more classic stove design.

Q-Tee C is available with an opened or closed storage space for firewood, for top or rear flue pipe installation and with AirSystem.

DESIGN YOUR OWN STOVE

RAIS Q-TEE C



RAIS Q-TEE 2



Q-Tee 2 offers you a wide range of decor options and gives you the freedom to add a personal touch to your home. Place it on a base for firewood storage to accentuate the stove's cubical shape or add legs for a more classic look.

Choose between legs and bases in two heights.

Also available in gas.

DESIGN YOUR OWN STOVE

RAIS Q-TEE 2



RAIS Q-TEE 2 W/BASE



DESIGN YOUR OWN STOVE



RAIS Q-TEE 2 C SST

Q-Tee 2 C SST is an efficient heat source lined with soapstone in changing grey tones and with nature's own fascinating patterns that give the wood-burning stove a beautiful, organic expression.

The soapstone absorbs the heat from the stove and releases it slowly over time, and thereby ensures that you get the most out of your firewood. The 180 kg soapstone efficiently retains the heat and ensures a stove temperature above room temperature for 5 – 7 hours.

Take advantage of the open space beneath the combustion chamber and use it for storing firewood. You can also choose a closed model for a more minimalist look.



RAIS Q-TEE 2 C W/BASE



DESIGN YOUR OWN STOVE



RAIS Q-TEE 2 C W/BASE

Q-Tee 2 C is the ultimate fusion of form and function combining beautiful design details with an efficient and eco-friendly combustion. The wood-burning stove has a square yet beautifully rounded form and a large glass window.

Choose Q-Tee 2 C with legs to create a classic wood-burning stove design, or combine it with wood storage boxes for a more contemporary look.

Also available in gas.

RAIS Q-TEE 2 C



RAIS Q-BE

Q-Be catches the eye with its strong, sculptural expression, unique revolving base, and exceptional views of the fire.

Q-Be is distinguished by its innovative design that sets it apart from other wood-burning stoves. Cube-like and sculptural it fills out the room and brings character to all types of home interiors.

The large glass window covers two sides and offers exceptional views of the flames. The revolving base allows you to turn the top of the wood-burning stove in any direction enabling you to enjoy the cosy fireplace ambience from every corner of the room.



RAIS Q-BE XL



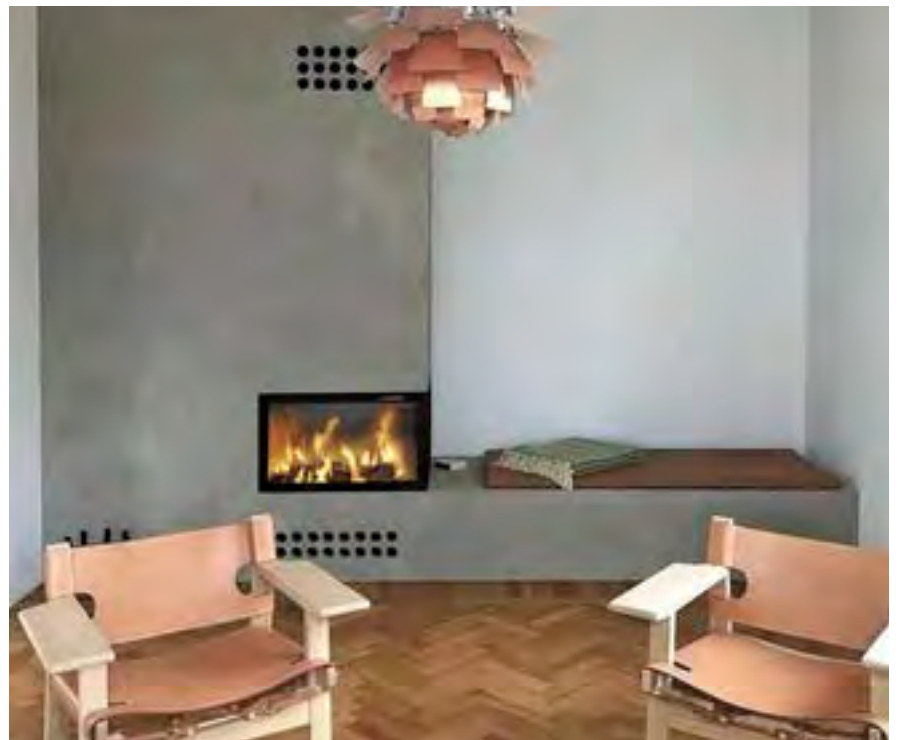
RAIS Q-BE

Photo: @berhardmuellerfoto.de / Althaus modernisieren

DESIGN YOUR OWN STOVE



FIREPLACE INSERTS WITH SLIDING DOORS



AESTHETIC & FUNCTIONAL ELEGANCE

RAIS fireplace inserts with sliding doors are the epitome of pure elegance – aesthetically as well as functionally. The inserts have an ultra-stylish and minimalist expression and offers a unique functionality with a sliding door that is pushed upwards and disappears when it opens.



RAIS VISIO UNIQ



VISIO UNIQ



RAIS VISIO



VISIO 1



VISIO 2



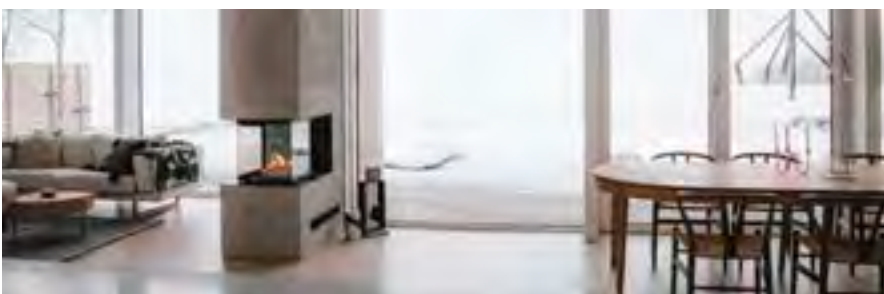
VISIO 3



RAIS VISIO 2:1



VISIO 2:1



RAIS VISIO 3:1



VISIO 3:1



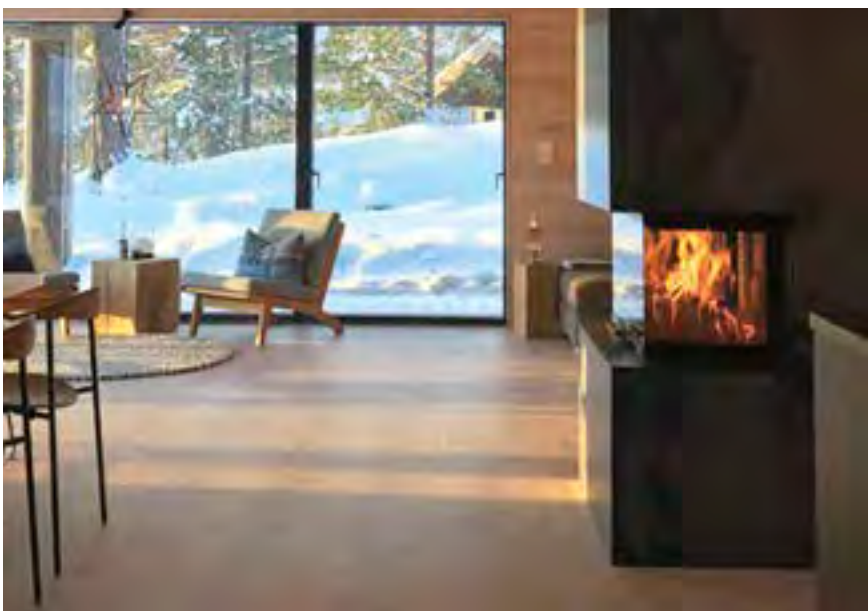
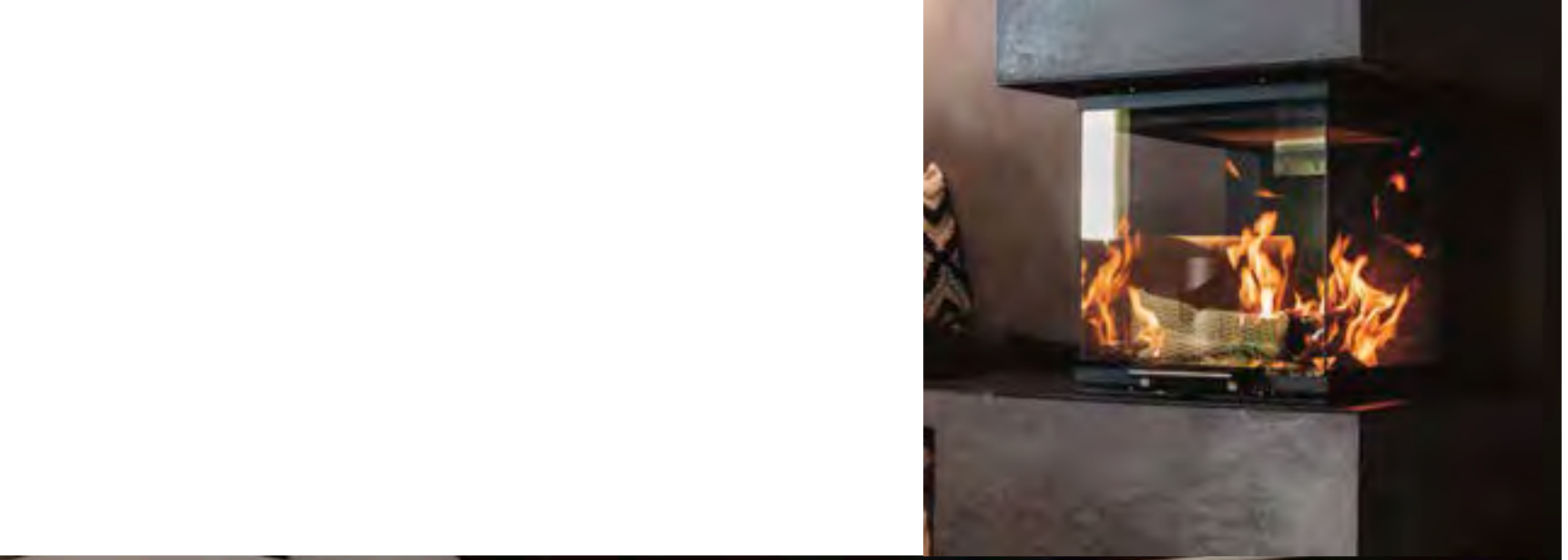
RAIS VISIO L



VISIO 2 L



VISIO 3 L



DECORATE WITH FIRE. VISIO IS A SERIES OF EXCLUSIVE FIREPLACE INSERTS THAT GIVES YOU THE FREEDOM TO DECORATE YOUR HOME EXACTLY AS YOU LIKE.



RAIS VISIO

DESIGN YOUR OWN STOVE

Regardless of whether you are building a new home or dream of a fireplace insert for an existing fireplace, there is a Visio insert to complement the architecture and interior of your home.

The series encompasses seven different models offering you the choice between a Visio with glass on one, two or three sides and extra tall and wide models, Visio 2 L or 3 L.

Choose your Visio with a frame in black or stainless steel – or even without a frame - and choose between handles in wood or steel.

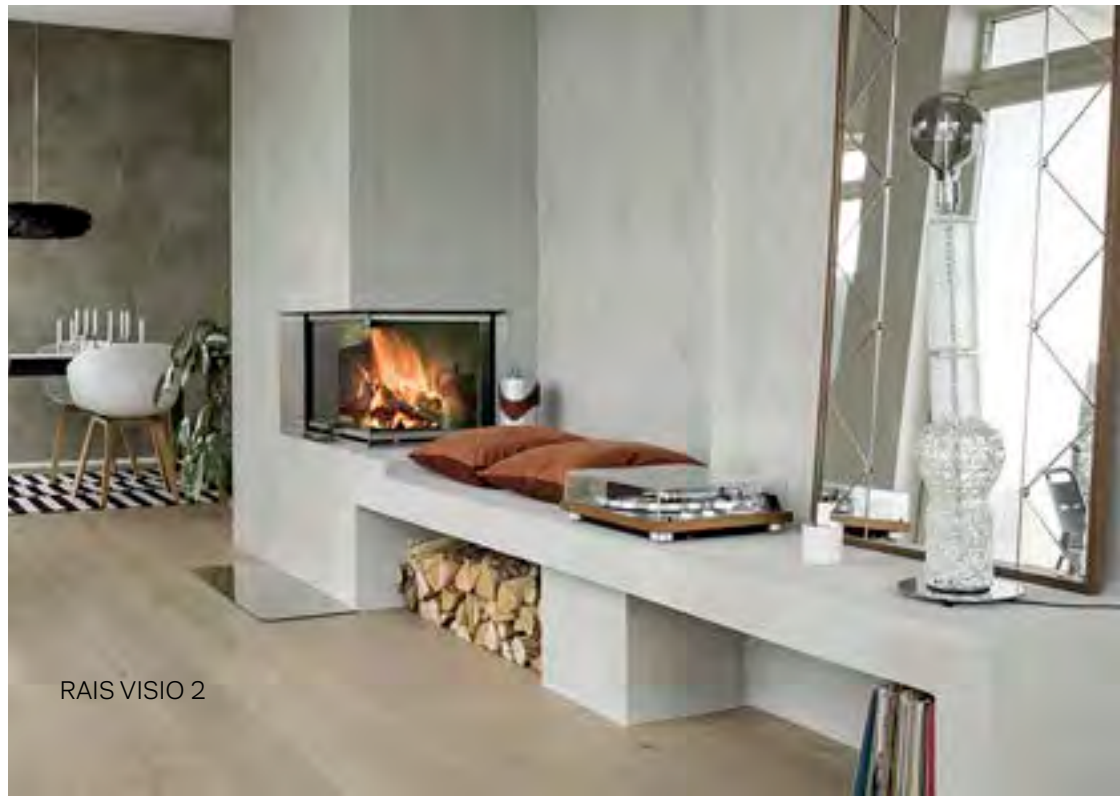
Build your Visio into a corner, use it as a room divider, enjoy the crackling fire in more than one room, or build your own unique fireplace with prefabricated concrete elements.

Visio inserts are also available in gas.

Did you know that RAIS inserts are unique, because we use coated glass panes that minimises soot build-up?



RAIS VISIO 1



RAIS VISIO 2



RAIS VISIO UNIQ

**ENJOY A ONE-OF-A-KIND
VIEW OF THE FIRE**

As the name implies, Visio Uniq is one-of-a-kind and offers a timeless, clean-cut elegance out of the ordinary. By discreetly hiding the bottom frame, the unique design offers an even larger and more beautiful flame picture and a completely unobstructed view of the fire.

The only thing that interrupts the insert's clean-cut lines is the handle. The handle has been added to simplify operations.





What kind of stove creates the most beautiful flames and the most authentic fireplace experience? Stoves for gas or for wood?

In a new-build family home the residents have chosen one of each. A Visio 90 3S for gas spreads warmth and fireplace ambience in the cosy reading nook, while the living room sofas are centred around a Visio 1 for wood and its panoramic flame picture.

Both inserts stand out with their beautiful, flickering flames and authentic fireplace atmosphere, and if you do not know which is which, it is hard to tell the difference.

BEAUTIFUL FLAMES WITH GAS AND FIREWOOD





RAIS VISIO 2:1 - TUNNEL





RAIS VISIO 3:1 - ROOMDIVIDER



Photo: @moapynten





RAIS VISIO 2 L

BIG IS BEAUTIFUL
XL VIEW TO THE FLAMES

OUTPUT 8-12 kW | AREA 120-180 m² | 3 HANDLES





FIREPLACE INSERTS



COMPLETE YOUR HOME WITH A FIREPLACE INSERT

RAIS fireplace inserts are easily fitted into existing homes or integrated into the architecture of new-build houses. Our extensive selection of fireplace inserts opens up a world of creative, architectural options where great design and efficient heating combine to complete your home.

RAIS fireplace inserts are available with an all glass door or glass door with steel frame.



RAIS 500



500¹



500²



500³



RAIS 600



600¹



600²



600³



RAIS 700



700



RAIS 900



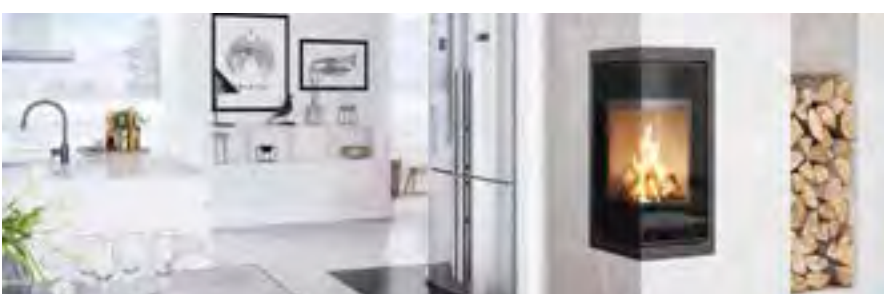
900



RAIS 2:1



2:1



RAIS Q-BE



Q-BE



RAIS 500²

RAIS 500 is a relatively small insert ideal for small spaces and homes, as for example summer cabins, where the space is limited, and you do not want the insert to dominate the room.

The model is also the ideal solution for existing fireplaces, where it will create a modern, timeless expression and contribute with a significantly more efficient heating of your home.

Available with glass on one or more sides, the RAIS 500 is a flexible solution that can be modified to fit perfectly into your home décor and architectural style.

The glass panes are coated to minimise soot build-up and to ensure a clean view of the fire.



RAIS 500¹

RAIS 500



RAIS 500³



RAIS 600³

With its square, almost cube-like design, RAIS 600 offers a distinct and characteristic look that truly sets it apart.

Enjoy the fire through the large glass panes that create an illusion of an open fireplace.

Available with glass on one, two or three sides and with an all glass door or glass door with steel frame.

Build it into a corner or perhaps into an existing fireplace.
Fits any corner, left or right

RAIS 600



RAIS 600²



RAIS 600¹



Photo: **fermacell**[®]
ACOUSTIC

RAIS 700

RAIS 700 stands out with its minimalist, clean-cut design that beautifully frames the flickering fire. The wide panoramic glass window and extra-large combustion chamber with room for large logs create an exceptional flame image and a beautiful view of the fire.

The sleek, clean-cut design is elegantly underlined by the discreet handle. Create a raw and rustic look with a glass door with steel frame or go for a sleeker design with an all glass door.



With its eye-catching, extra wide design RAIS 900 makes a grand and extravagant impression. The extra wide insert offers an impressive view of the flames and an extraordinary panorama effect. The discreet handle is made from stainless steel.

Available with steel or glass door.

RAIS 900

RAIS Q-BE

Q-Be is an elegant corner insert distinguished by its unique and practical details and its stylish, minimalist design.

The door's glass is made in one piece, and the exquisite handle is discreetly concealed under the door.





RAIS 2:1

With wide glass windows on two sides RAIS 2:1 allows you to connect two rooms with just one fireplace insert and to enjoy the fire and the cosy fireplace ambience in both rooms.

The large glass windows offer impressive views of the fire, attract attention and serve as a visually appealing focal point in your home.

Available with steel or glass door.



FORM & FUNCTION - DECORATE WITH RAIS

RAIS offers a comprehensive collection of home décor items that perfectly complement the design and style of our wood-burning stoves and fireplace inserts. Our home décor items combine form and function and add both visual and practical value to your home that make an everyday difference.

HOME DECOR

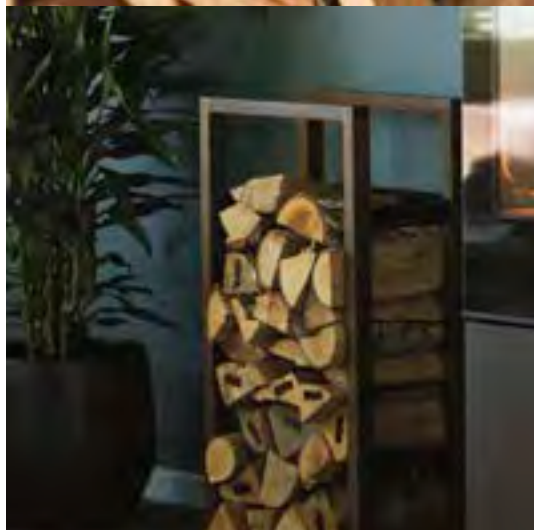
WOODFRAME

Elegant frame for firewood storage available in oiled oak in natural or smoky nuances. Hang it on the wall, place it on the floor, and turn it anyway you like. Note the luxurious details in the corners, which are joined using both dowels and tenons.



Woody fuses beautiful details, luxurious materials, and practical simplicity - and makes it so much easier to carry in firewood.

WOODY



WOODBBOX

Use Woodbox for storage or to hide away the firewood.

Cube-shaped Woodbox is a practical and elegant storage solution with a lid resting flush with the edges of the box. Available in oiled oak in natural or smoky nuances



BUTEO

Poker, brush and shovel with holder in a vibrant, organic design. For wall-mounting or floor with a round concrete base. Handles in stainless steel or leather.



For wall

For floor



SOLO



Three-piece fireplace tools with poker, brush and shovel in a stylish and practical design. Tools and solid holder in stainless steel and with elegantly rounded corners. Also available as a one-piece set with poker and holder.

TETRA

Three-piece fireplace tools in a raw design that combines steel, iron and concrete. For wall-mounting or floor. Handles in stainless steel or leather.

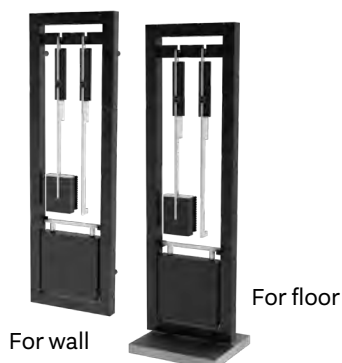


For wall

For floor

WALL TOOLS

RAIS Wall tools are pure minimalism with shafts in stainless steel, black silicon handles and a holder in a black graphic design. For wall-mounting or the floor on a concrete base.



For wall

For floor

CARRY

With its architect-drawn organic design, RAIS Carry reinvents the classic firewood basket and gives it a vibrant, modern expression. Choose between black or cream coloured. Available with handles in black or cognac coloured leather.



LIGHTING

RAIS Lighting is an exclusive storage box for firelighters in aluminium and with black or cognac coloured leather.



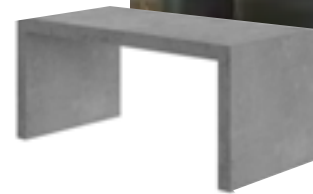


Sculptural firewood rack available in two sizes and with two or three compartments for storage. Turn the rack around and use it as a bench instead.

WOOD RACK

CONSTANT

Constant is a durable bench made from fibre concrete that adds a raw and rustic touch to home interiors and outdoor living spaces. The bench can also be used as a base for Q-Tee and Q-Tee 2.



WOODWALL FREESTANDING

Use Woodwall Freestanding as a room divider or as a sculpture in the room. Available in two sizes and in black or white. Wall Tools can be attached.



WOODWALL



Woodwall for storage of firewood is genius in all its simplicity. The wall holder comes in two sizes, with and without a back panel, and in black or white. Decorative and practical.



DETAILS THAT MAKE A DIFFERENCE

RAIS offers a comprehensive selection of accessories that add extra functional and aesthetic value to your stove. Choose for example the flue pipe in the same colour as your stove to complete its look, or choose our Airsystem and Airkit to ensure an optimal combustion.



ACCESSORIES

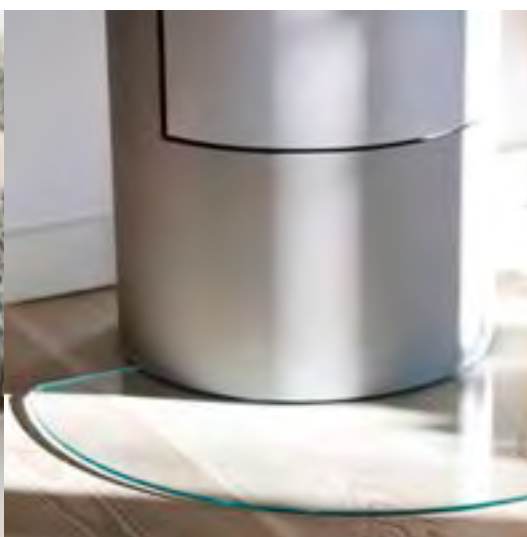
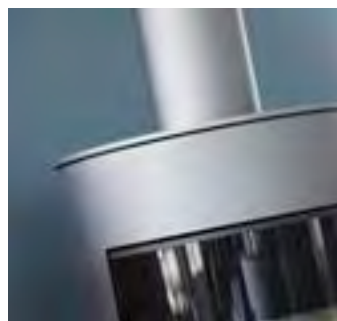


FLUE PIPES

Choose a flue pipe from RAIS to complete the installation of your wood-burning stove and create a perfect result. Flue pipes are available in the same colours as RAIS wood-burning stoves, and with a matching flue pipe the stove and flue pipe will appear as a complete and homogeneous whole.

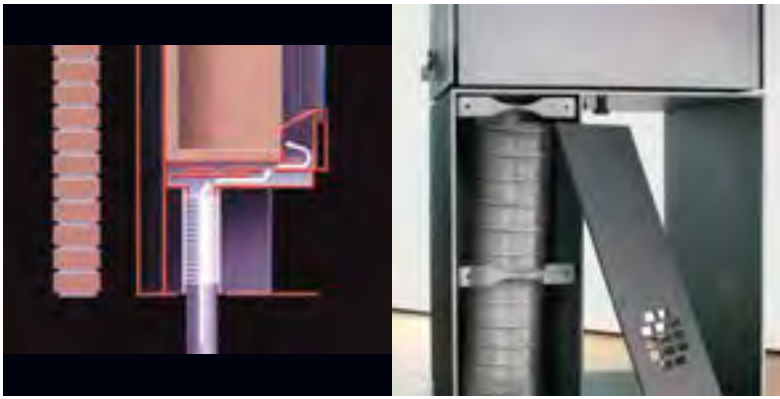
In addition, flue pipes from RAIS are designed with a smaller diameter than other flue pipes on the market and with discreet joints that are nearly invisible.

It is small details like these that make a difference, and ensure an exclusive and elegant installation.



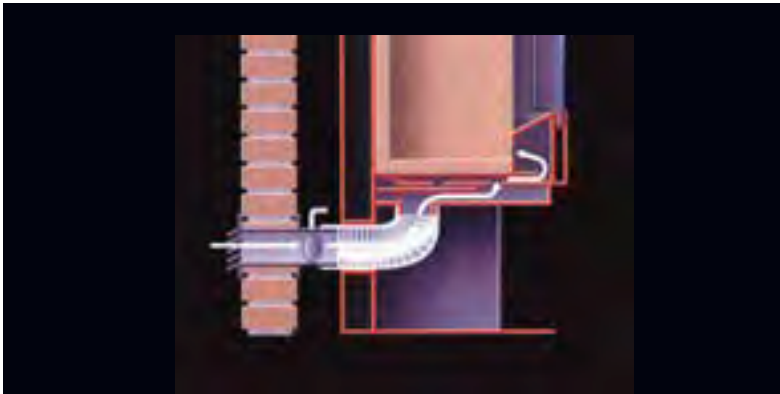
FLOOR PLATES

Choose an elegant floor plate in tempered glass designed to fit the shape of the stove. Note that the plates can simply be pushed right up to the stove and easily removed for cleaning.

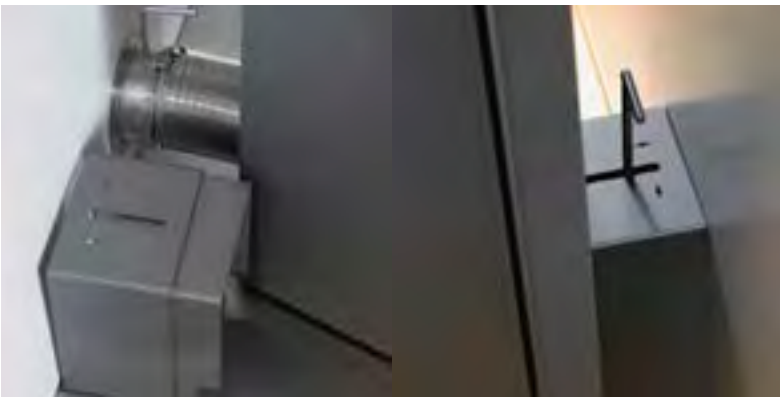


Air supply through floor

AirKit between floor and stove



Air supply through rear wall



AirKit between wall and stove

Shield and damper behind stove

AIRSYSTEM AND AIRKIT

This solution is developed specifically for low-energy and insulated houses. The system sucks in fresh air from the outside and feeds it directly into the stove to ensure optimal combustion. The air intake can be concealed by fitting it into the floor or into the wall behind the stove.

To facilitate connection to the AirSystem in the stove, we have developed an AirKit system that is adapted to the desired floor or wall installation. The kit consists of a flexible pipe with a clamp, shielding for the firewood compartment, a coupling with a damper and a casing.

The coupling with the damper is very important. If it is not in place, there is nothing to prevent cold air from coming into the stove, cooling down the combustion chamber and creating condensation. The damper on the coupling and air inlet on the stove must be closed when the stove is not in use.

STAY WARM WITH BEAUTIFUL STONES



Get a more even heat distribution by adding heat storage stones to your stove.

By adding accumulating stones, the stove's ability to quickly and comfortably distribute convection heat will combine with heat storage. This way a lot of the fire's energy is stored for hours and is gradually released long after the fire has gone out.

The benefit is a low consumption of firewood, comfortable and cosy room temperature as well as optimum energy use.

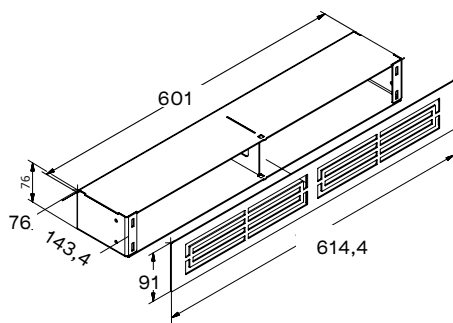
Heat accumulating stones are available for Pilar, Viva L 120/140/160, Nexo 140/160/185, Q-Be, Juno L, Visio 1, Visio 2, Visio 3 and 600 Max.





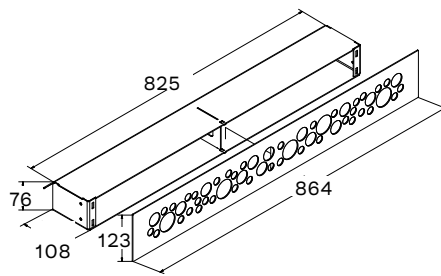
R500²⁺³ / VISIO 2+3

Convectionsarea: 190 cm²



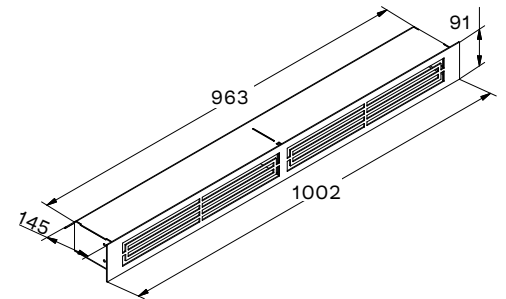
R700

Convectionsarea: 280 cm²



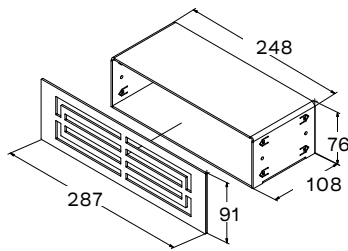
R900

Convectionsarea: 320 cm²



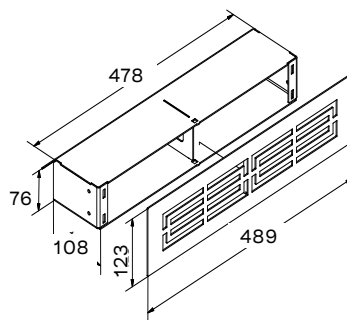
Q-BE

Convectionsarea: 90 cm²



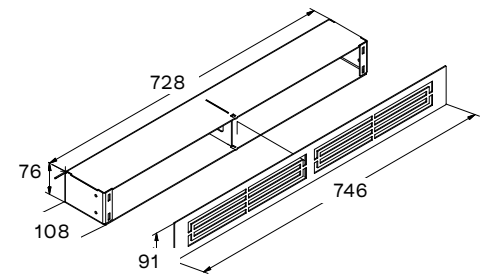
Q-TEE

Convectionsarea: 147 cm²



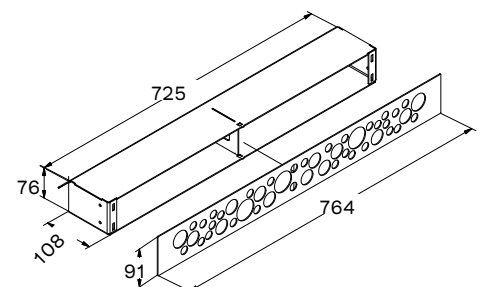
R2:1

Convectionsarea: 235 cm²



R500 / VISIO

Convectionsarea: 230 cm²



CONVECTION GRATES

Choose a convection grate that fits your insert to complete the design and to ensure the ultimate fireplace experience.



OUTDOOR



LIVE LIFE OUTDOOR

Outdoor living is something special and creates a feeling of freedom and belonging. RAIS invites you to live life outdoors and extend the outdoor fun with the warmth of a fire.

Make a campfire, start the grill, and invite friends and family over.

That's life at its best!





RAIS GRILL

CIRCLE

Create a tranquil escape from everyday life with combined grill and fire bowl Circle in Corten steel that only becomes more beautiful with time. Cuddle up in front of the fire, host an informal get-together or prepare a delicious homemade meal. The choice is yours.

CIRCLE COVER

Protect your Circle grill against the weather with a durable cover specially designed to guard your grill against rain and dirt.

Made from weatherproof material, the cover will extend the life of your grill and keep it clean and ready for use.





RA

Simple and minimalistic fire bowl for evening fun on the patio, in the garden or at the beach.



LIGHT CONE

Decorative cone-shaped garden torch with oil lamp insert. Spear available in two lengths.





THE GRAIN HOUSE

The Grain House in Vendsyssel, Denmark, is a museum that tells the story of grain, its diversity and use. The house is designed by the Norwegian architect Reiult Ramstad, and the rustic building materials are inspired by Scandinavian nature and crusty bread. The fascinating shape of the building is inspired by old bakery ovens.

We cultivate the good life is the slogan at The Grain House, and RAIS Ra and RAIS Circle show the way.





SPECIFICATIONS

The following pages comprise recommendations, specifications and technical data for each of our stoves including dimensions, output, particulate emissions and distance to flammable materials.

This information is for your guidance only. Before installing your wood-burning stove, we recommend that you read the user manual and consider the specific recommendations applicable to the specific stove.

Please note that you are under obligation to ensure compliance with all local and national laws and regulations.

Our continuous technical development may affect the specifications and lead to changes in colours and accessories. Errors in the text, data and photos may occur.





ADVANCED GLASS CONCEPT®

RAIS wood-burning stoves are known for their soot-free glass panes and their uniquely beautiful view of the fire. The secret behind these unique features is our holistic approach to the glass panes in the combustion chamber. This means that we conduct a series of sophisticated tests for each individual stove to ensure the right blend of glass types that will guarantee a perfect view of the fire, as well as a superior heat output. Our range of glass types includes double glazing and special infrared coatings. We never compromise and use only the highest-performing ceramic glass panes available on the market.

Choose **ADVANCED GLASS CONCEPT®** for a fire that burns perfectly, and looks exactly as you would imagine.

INFRARED COATING

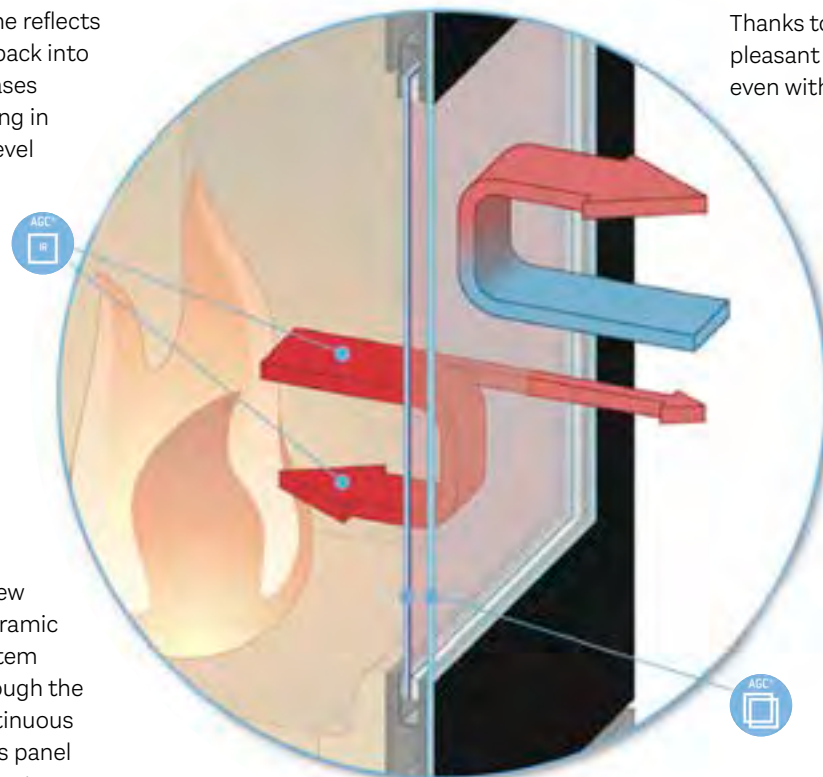
An infrared-coated ceramic glass pane reflects seven times as much heat radiation back into the combustion chamber. This increases the combustion temperature, resulting in enhanced energy efficiency, a lower level of wood consumption, excellent emissions values, and beautiful flames.

RADIANT HEAT

Thanks to moderate radiant heat, a constantly pleasant living space temperature is guaranteed, even with large fire glass panes.

SELF-CLEAN GLASS

To make sure you can enjoy a clear view of the dancing flames through the ceramic glass, our sophisticated cleaning system sends preheated combustion air through the combustion chamber creating a continuous draught that cleans the ceramic glass panel from the inside, and keeps it free of soot.



DOUBLE GLAZING

Double glazing reduces heat radiation and prevents modern low-energy buildings and passive houses from overheating.

PICTOGRAM FOR AGC:



Glass panes with double glazing and infrared coating



Glass panes with double glazing

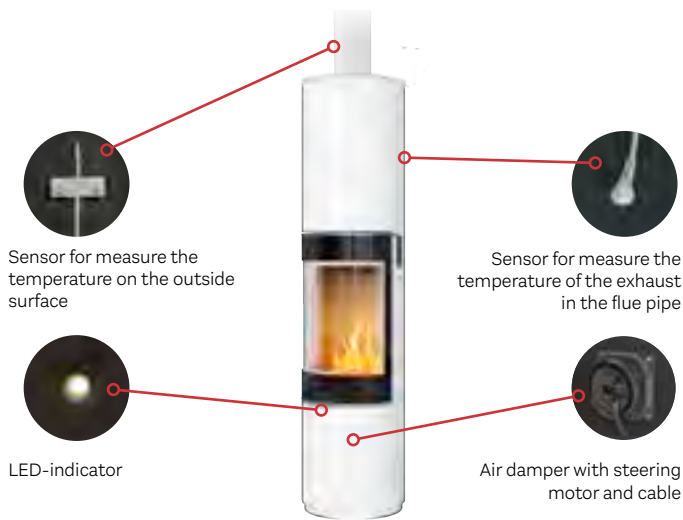


Glass panes with infrared coating



Single-layered glass panes

ELECTRONIC AIR



ELECTRONIC AIR – HOW IT WORKS

Sensors measure the temperature on the outside surface of the combustion chamber and the temperature of the exhaust in the flue pipe. Based on the temperature, the electronic air damper automatically regulates the air supply to the combustion chamber to ensure an efficient combustion. When the stove is hot, the air vent is almost closed, but if you open the door to feed the fire new logs, the air vent will open automatically for approximately 40 seconds to ensure that the new logs will ignite quickly.

Electronic Air comes with a remote control that allows you to manually regulate air supply when needed, for example during a storm.



CLEVER AIR

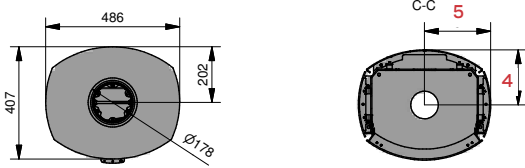
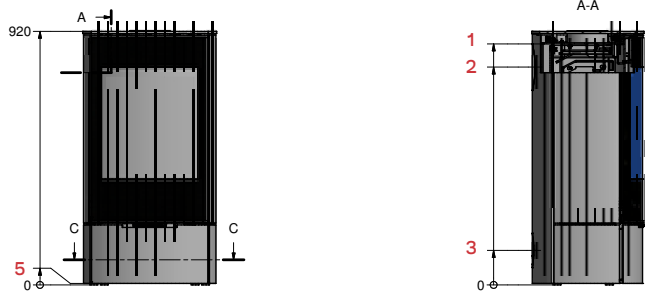


CLEVER AIR – FOR EASY OPERATION

With the Clever Air automatic combustion control system it has never been easier to operate your stove. In fact, all you need to do is put in dry wood and light it and let the patented Clever Air system handle the air supply to the stove. The system guarantees an efficient combustion, superior firewood utilisation, low emission levels, and clean glass panes.

The technology is based on heat-sensitive bimetal components. The bimetal expands and contracts depending on the stove temperature and thereby changes the air gap and the air supply to the combustion.

SPECIFICATIONS



DISTANCES

All dimensions are stove dimensions with adjustable feet.
Adjustment of with set screws or rotary base, will affect the height.
Distance dimensions to flammable wall with insulated chimney are stated in brackets.

- 1 - Distance to flue exit top
- 2 - Distance to flue exit back
- 3 - Distance to air supply back
- 4 - Distance to air supply floor
- 5 - Distance to air supply floor from side

DETAILS FOR SPECIFICATIONS

"Green arrow" = Set-up direction and distance to furniture ←
Distance to flammable material with usage of swivel base = furnishing distance
All measures marked with 'G' = dimensions of the glass/glass measure

RAIS CARO 90

TECHNICAL DATA:

DIMENSIONS (W-D-H)

Combustion chamber's int. dim.	352-292-446 mm
Flue exit (diameter)	Ø150 mm

KEY FIGURES

Output (Nominal)	5,6 kW
Output (Min-max)	3-7 kW
Heat (at 20 degrees)	45-105 m ²
Efficiency	80 %
Particulates	1,89 CleverAir / 2,11 g/kg

WEIGHT	90 kg
--------	-------



WITHOUT SIDE GLASS



WITH SIDE GLASS

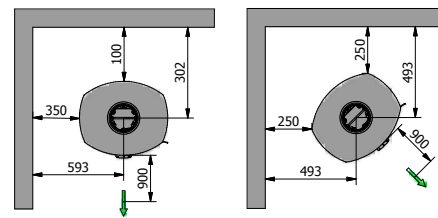


Front glass

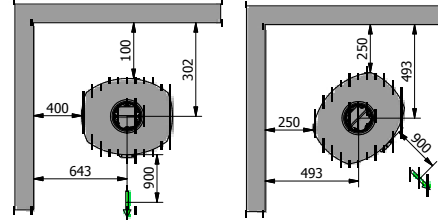


Side glass

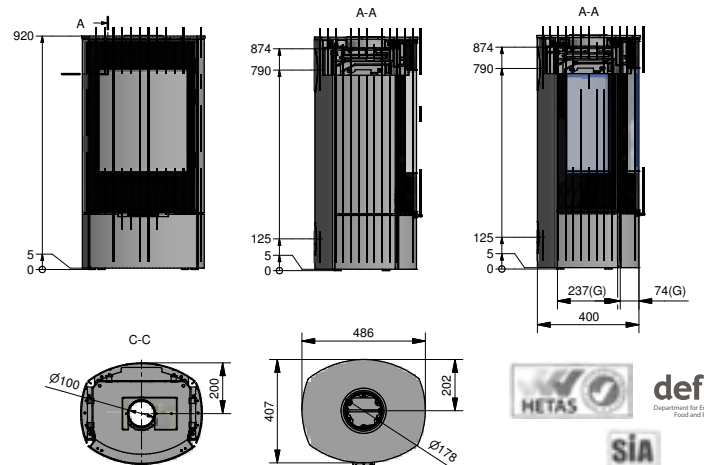
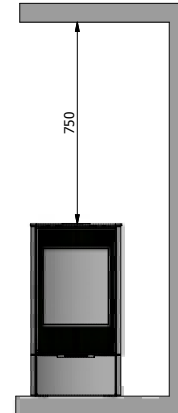
Flammable wall without side glass



Flammable wall with side glass



Flammable ceiling



(pending)

RAIS CARO SST

TECHNICAL DATA:

DIMENSIONS (W-D-H)

Combustion chamber's int. dim.	352-292-446 mm
Flue exit (diameter)	Ø150 mm

KEY FIGURES

Output (Nominal)	5,6 kW
Output (Min-max)	3-7 kW
Heat (at 20 degrees)	45-105 m ²
Efficiency	80 %
Particulates	1,89 CleverAir / 2,11 g/kg

WEIGHT	161 kg
--------	--------

- heat accumulation stone



WITHOUT SIDE GLASS



WITH SIDE GLASS

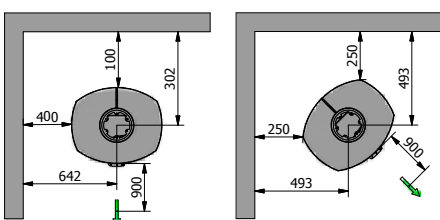


Front glass



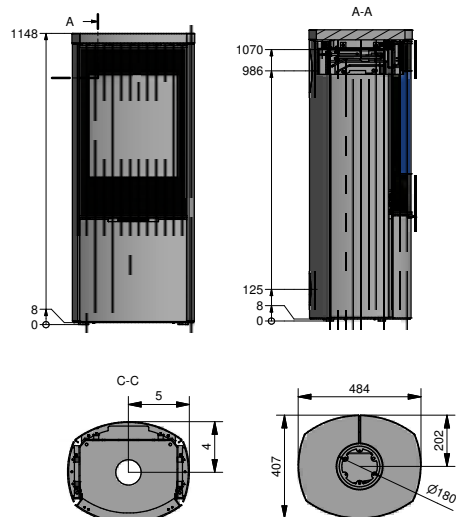
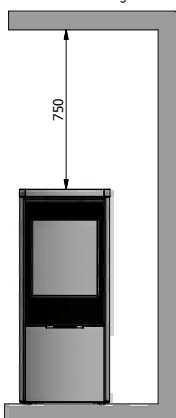
Side glass

Flammable wall



Distance to rotate base = distance to furniture

Flammable ceiling



RAIS PILAR



TECHNICAL DATA:

DIMENSIONS (W-D-H)

Combustion chamber's int. dim.	352-287-286 mm
Flue exit (diameter)	Ø150 mm

KEY FIGURES

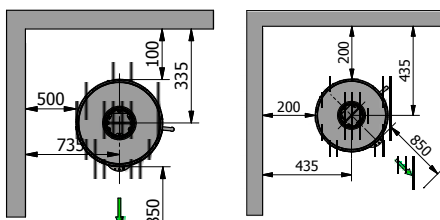
Output (Nominal)	4,5 kW
Output (Min-max)	2-9 kW
Heat (at 20 degrees)	30-135 m ²
Efficiency	81 %
Particulates	1.8 g/kg

WEIGHT	140 kg
--------	--------

- heat accumulation stone

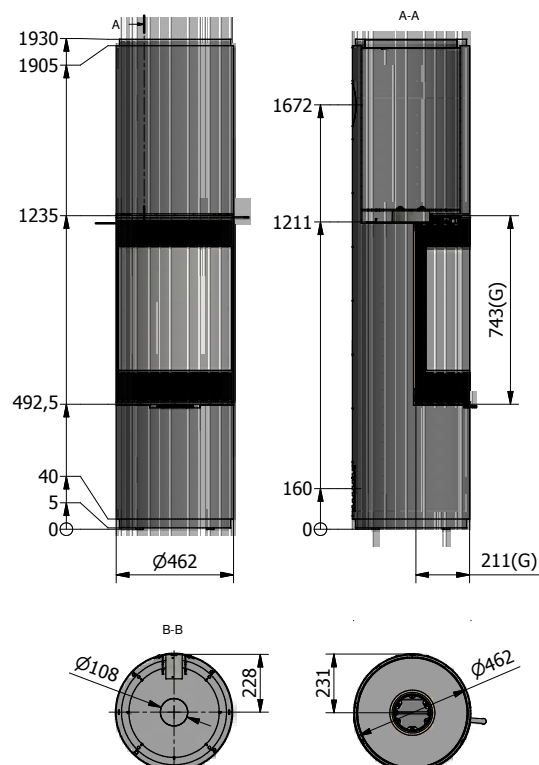
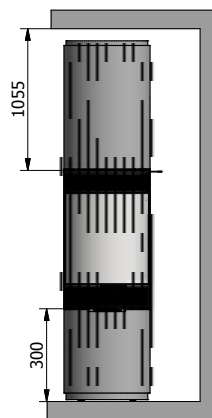


Flammable wall



Distance to rotate base = distance to furniture

Flammable ceiling



RAIS VIVA L



TECHNICAL DATA:

DIMENSIONS (W-D-H)

Combustion chamber's int. dim.	352-292-446 mm
Flue exit (diameter)	Ø150 mm

KEY FIGURES

Output (Nominal)	5,6 kW
Output (Min-max)	3-7 kW
Heat (at 20 degrees)	45-105 m ²
Efficiency	80 %
Particulates	1,89 CleverAir / 2,11 g/kg

WEIGHT

90-100-110-130 kg
- heat accumulation stone X-24-48-96 kg



WITHOUT SIDE GLASS



WITH SIDE GLASS

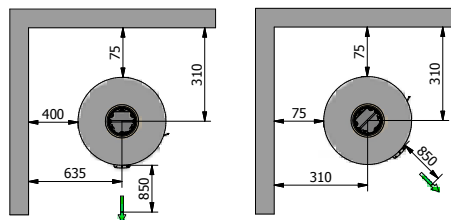


Front glass

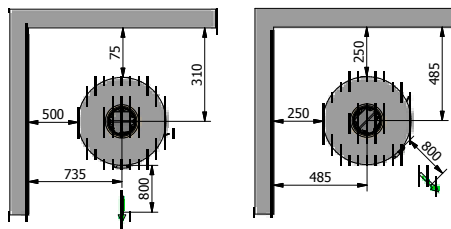


Side glass

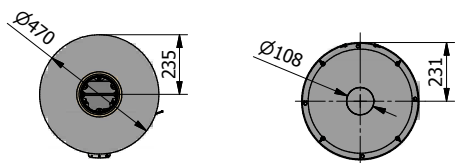
Flammable wall without side glass

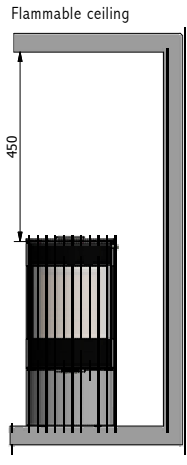


Flammable wall with side glass

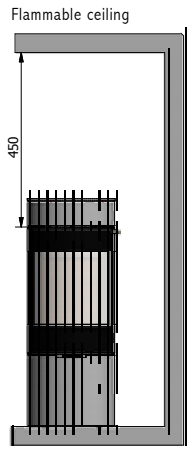
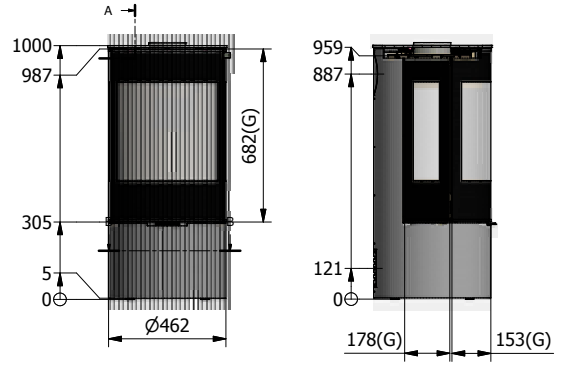


Distance to rotate base = distance to furniture

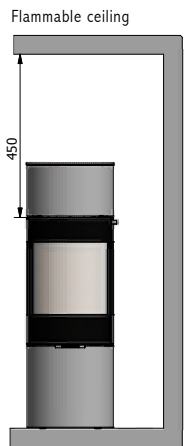
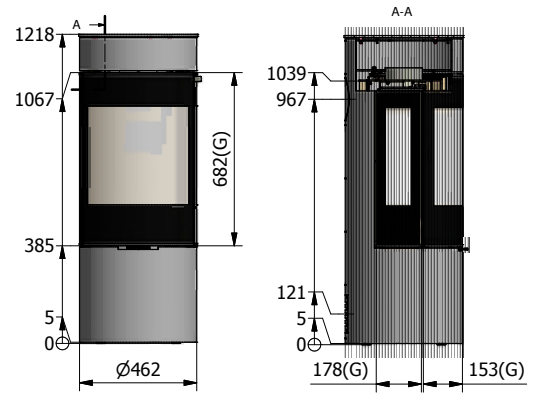




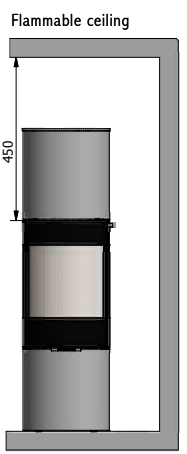
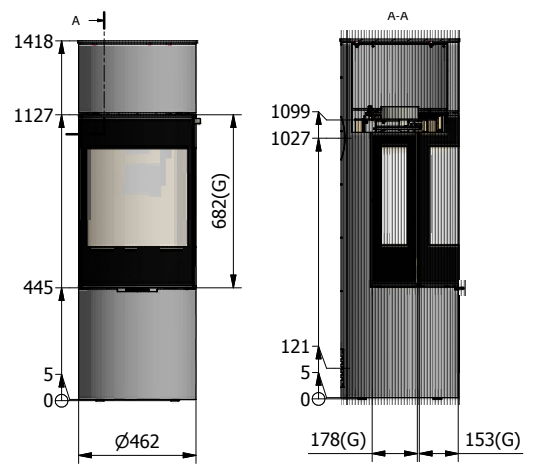
VIVA L 100



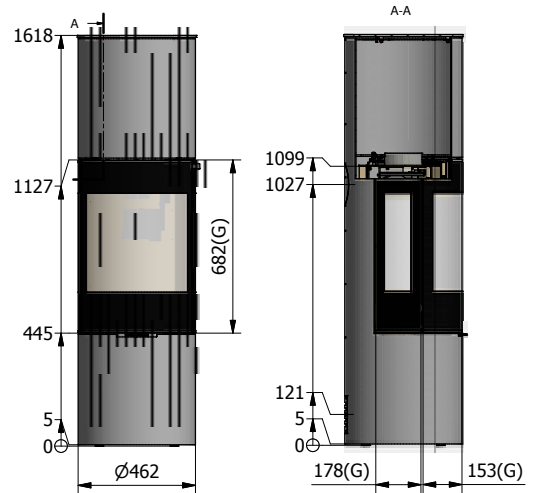
VIVA L 120



VIVA L 140



VIVA L 160



RAIS NEXO



TECHNICAL DATA:

DIMENSIONS (W-D-H)

Combustion chamber's int. dim.	344-253-510	mm
Flue exit (diameter)	Ø150	mm

KEY FIGURES

Output (Nominal)	5,7	kW
Output (Min-max)	3-7	kW
Heat (at 20 degrees)	45-105	m ²
Efficiency	80	%
Particulates	2,24	g/kg

WEIGHT	125-140-166-176-180	kg
- heat accumulation stone	X-X-36-72-120	kg



DOOR WITH GLAS



DOOR WITH STEEL FRAME



WITH SIDE GLAS

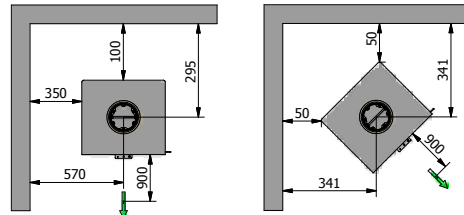


Front glass

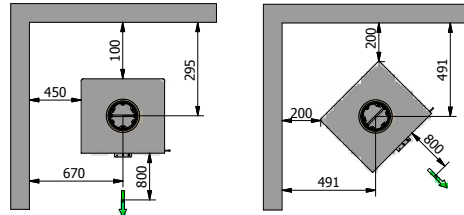


Side glass

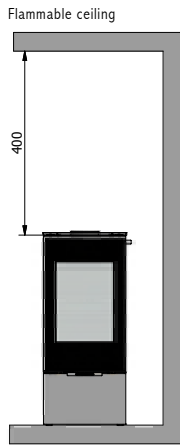
Flammable wall without side glass



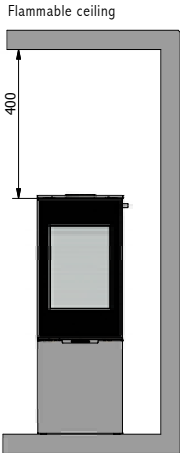
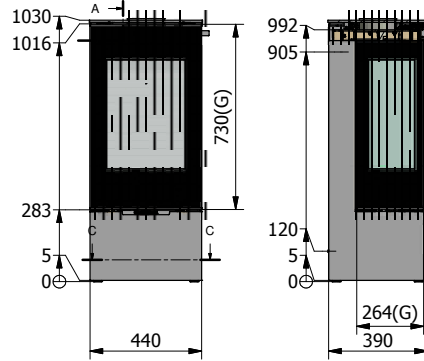
Flammable wall with side glass



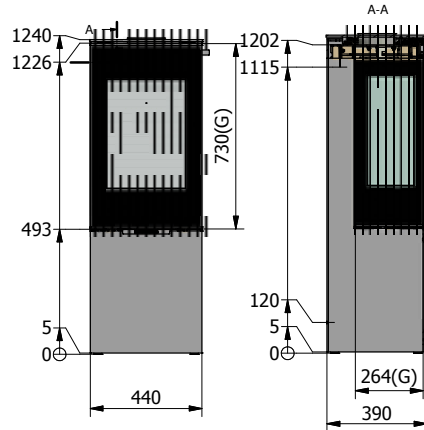
Distance to rotate base = distance to furniture



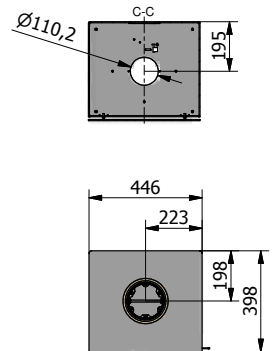
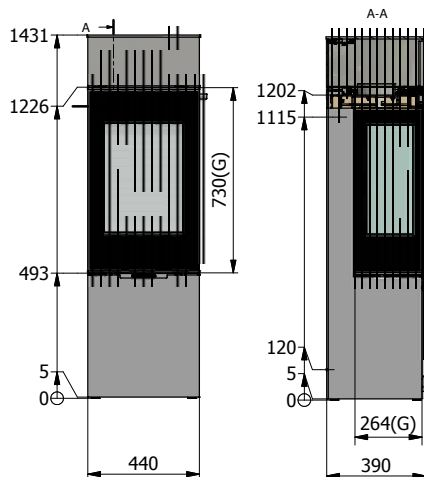
NEXO 100



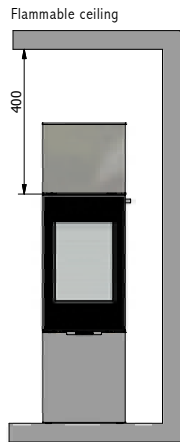
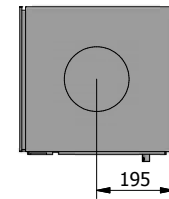
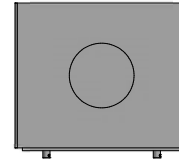
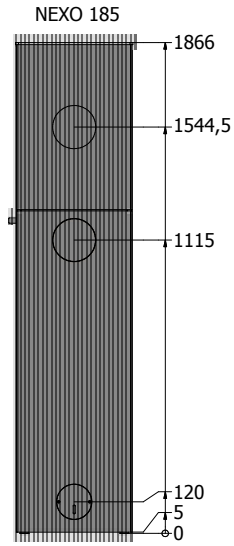
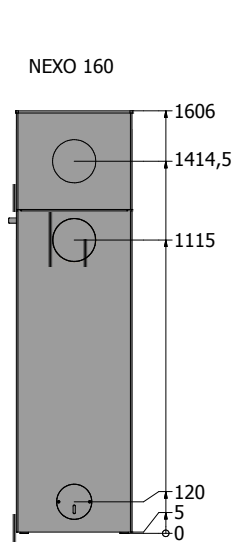
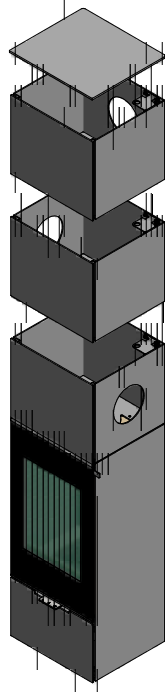
NEXO 120



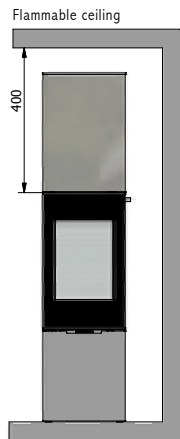
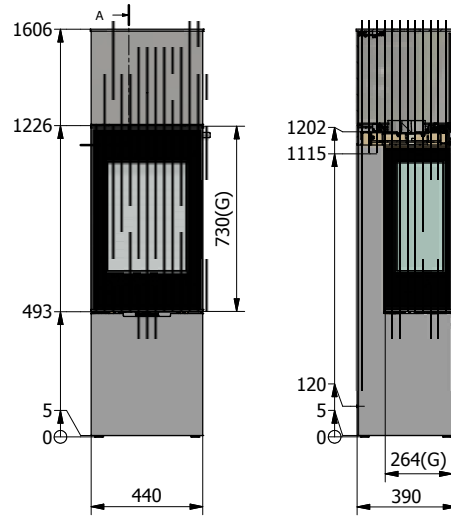
NEXO 140



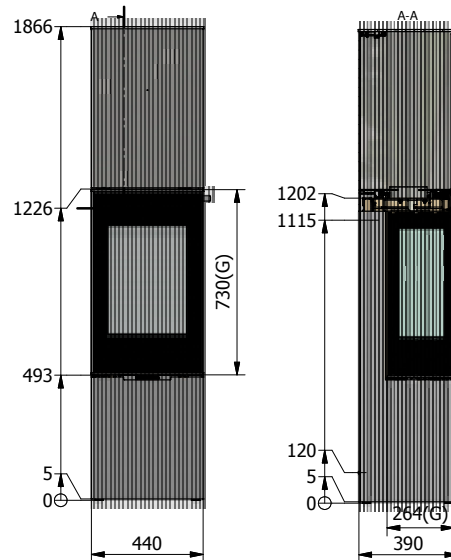
SPECIFICATIONS STOVES



NEXO 160



NEXO 185



RAIS JUNO L 120 / L 160

TECHNICAL DATA:

DIMENSIONS (W-D-H)

Combustion chamber's int. dim.	352-292-446 mm
Flue exit (diameter)	Ø150 mm

KEY FIGURES

Output (Nominal)	5,6 kW
Output (Min-max)	3-7 kW
Heat (at 20 degrees)	45-105 m ²
Efficiency	80 %
Particulates	1,89 CleverAir / 2,11 g/kg

WEIGHT	kg
--------	----

A

WITHOUT SIDE GLASS

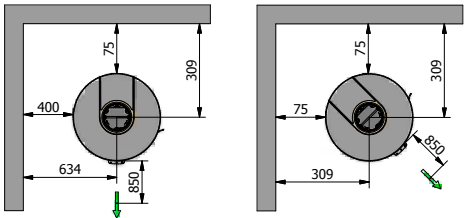
WITH SIDE GLASS

Front glass

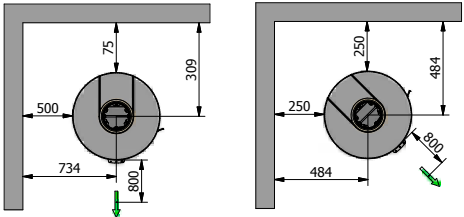
Side glass

CleverAir

Flammable wall without side glass

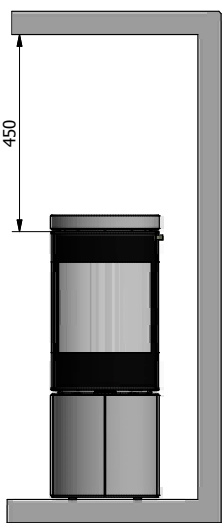


Flammable wall with side glass

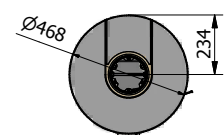
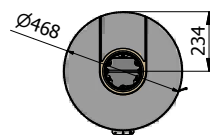
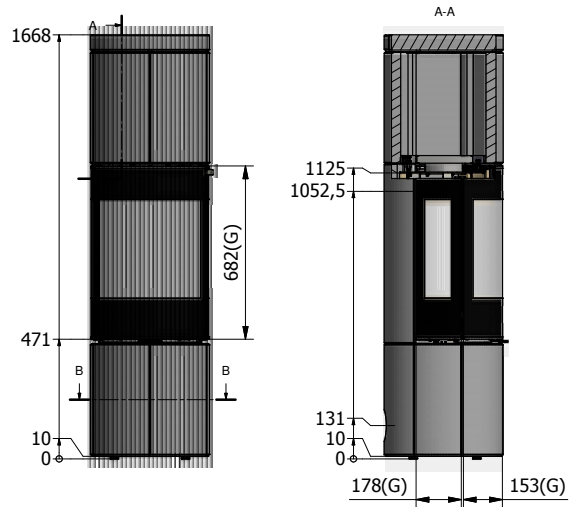
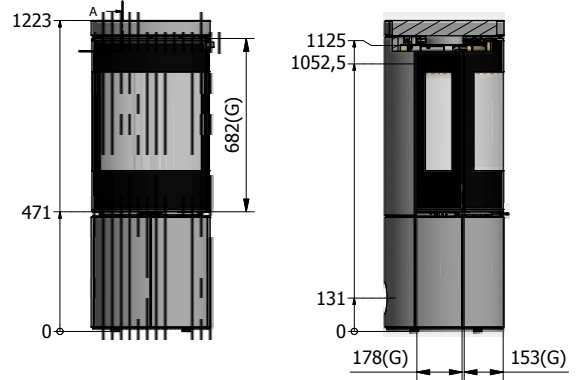
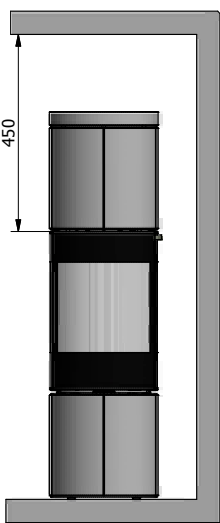


Distance to rotate base = distance to furniture

Flammable ceiling



Flammable ceiling



RAIS 600 MAX

TECHNICAL DATA:

DIMENSIONS (W-D-H)

Combustion chamber's int. dim.	544-256-471	mm
Flue exit (diameter)	Ø150	mm

KEY FIGURES

Output (Nominal)	5,8	kW
Output (Min-max)	1-8	kW
Heat (at 20 degrees)	15-120	m ²
Efficiency	81	%
Particulates	1.8	g/kg

WEIGHT	223/246	kg
- heat accumulation stone	60/120	kg



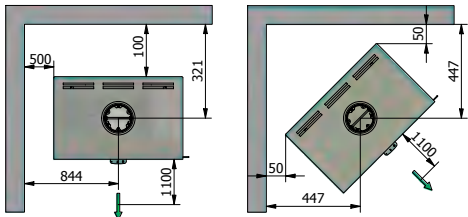
DOOR WITH GLASS



DOOR STEEL FRAME

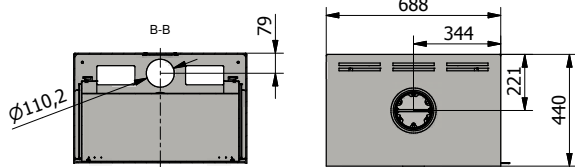
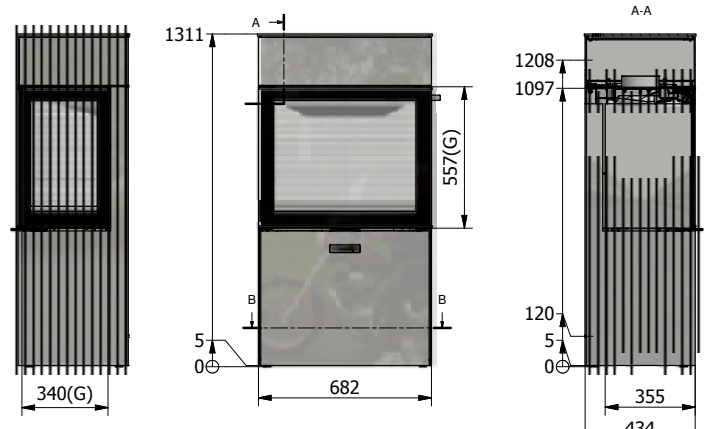
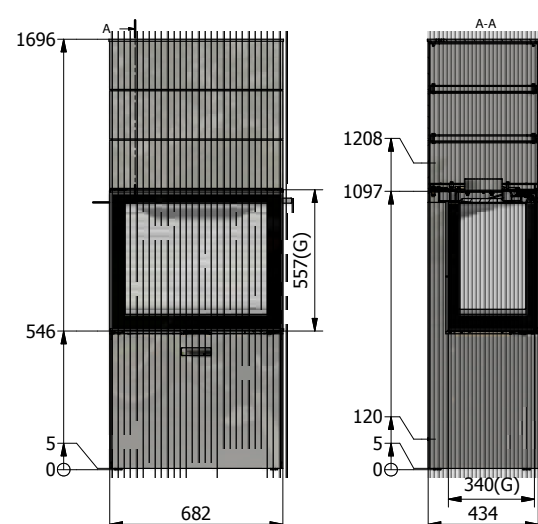
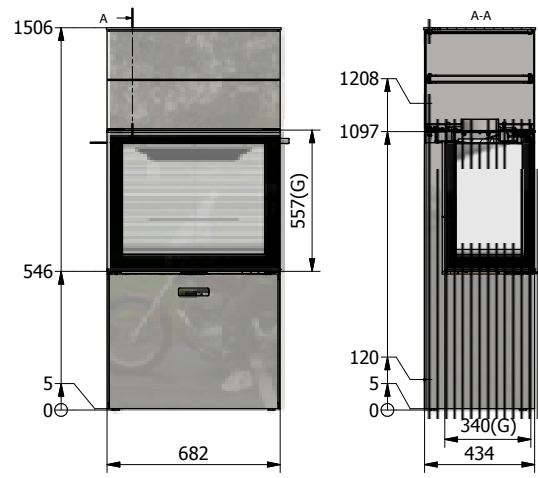
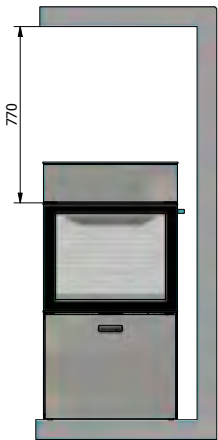


Flammable wall



Distance to rotate base = distance to furniture

Flammable ceiling



RAIS Q-TEE



TECHNICAL DATA:

DIMENSIONS (W-D-H)

Combustion chamber's int. dim.	317-270-270 mm
Flue exit (diameter)	Ø150 mm
Distance to flammable with isolated chimney	275 mm

KEY FIGURES

Output (Nominal)	4,1 kW
Output (Min-max)	2-6 kW
Heat (at 20 degrees)	30-90 m ²
Efficiency	80 %
Particulates	0,8 g/kg

WEIGHT	89/90/101 kg
--------	--------------

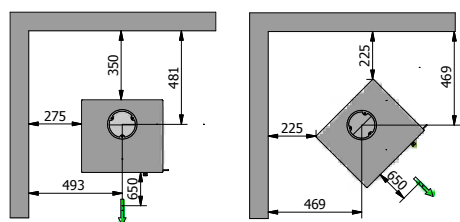
DOOR WITH GLASS



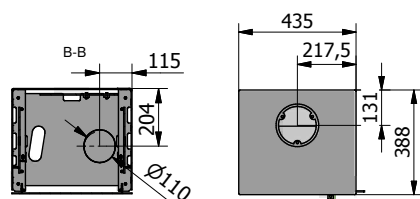
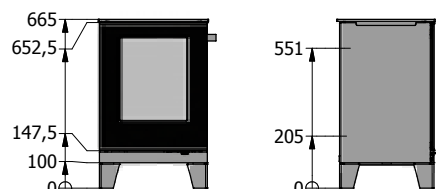
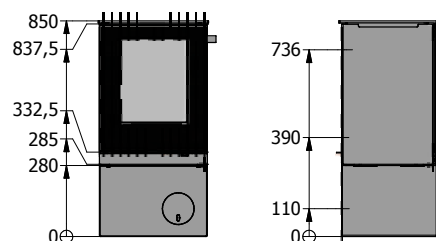
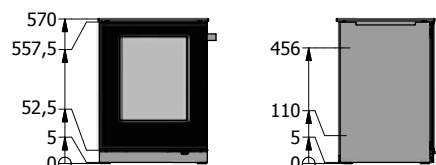
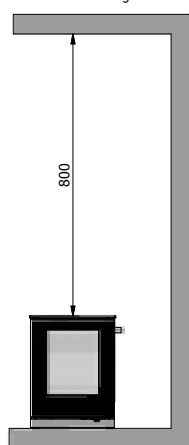
DOOR STEEL FRAME



Flammable wall



Flammable ceiling



RAIS Q-TEE C



TECHNICAL DATA:

DIMENSIONS (W-D-H)

Combustion chamber's int. dim.	317-270-270 mm
Flue exit (diameter)	Ø150 mm
Distance to flammable with isolated chimney	275 mm

KEY FIGURES

Output (Nominal)	4,1 kW
Output (Min-max)	2-6 kW
Heat (at 20 degrees)	30-90 m ²
Efficiency	80 %
Particulates	0,8 g/kg

WEIGHT	96/114/100 kg
--------	---------------

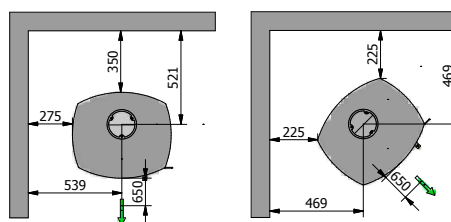
DOOR WITH GLASS



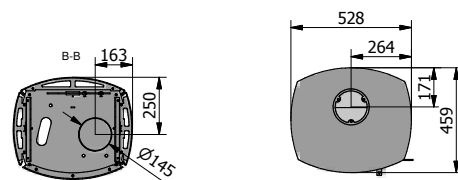
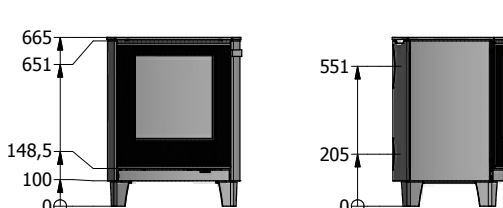
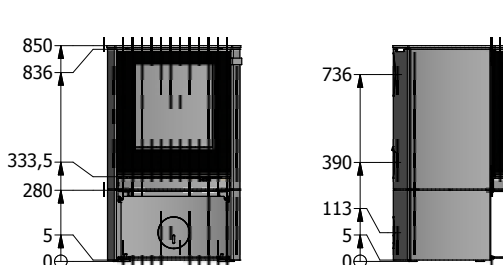
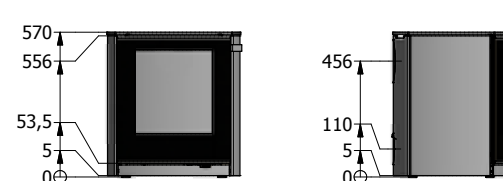
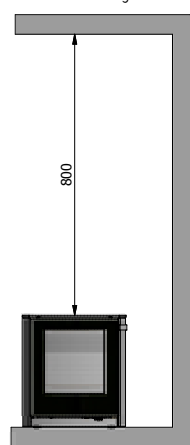
DOOR STEEL FRAME



Flammable wall



Flammable ceiling



RAIS Q-TEE 2



TECHNICAL DATA:

DIMENSIONS (W-D-H)

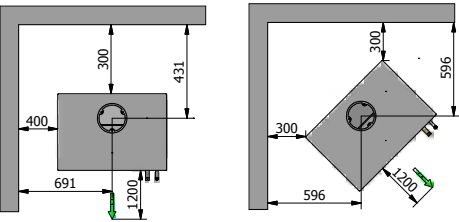
Combustion chamber's int. dim.	446-277-265 mm
Flue exit (diameter)	Ø150 mm
Distance to flammable with isolated chimney	200 mm
Distance to flammable using heatshield	200 mm

KEY FIGURES

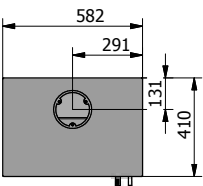
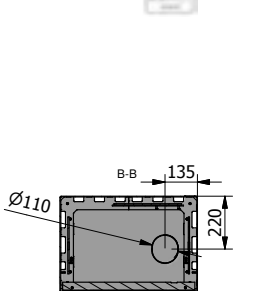
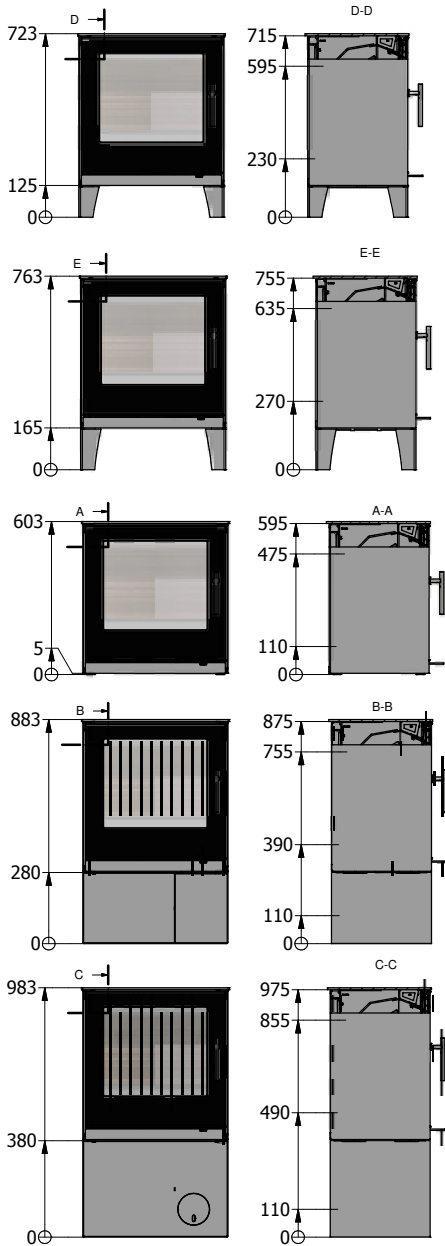
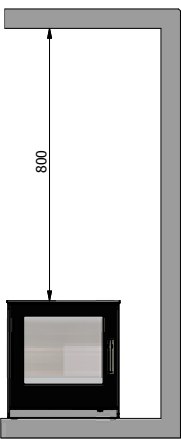
Output (Nominal)	6,5 kW
Output (Min-max)	3-8 kW
Heat (at 20 degrees)	45-120 m ²
Efficiency	81 %
Particulates	1,8 g/kg

WEIGHT	135/136/130/152/156 kg
--------	------------------------

Flammable wall



Flammable ceiling



RAIS Q-TEE 2 C



TECHNICAL DATA:

DIMENSIONS (W-D-H)

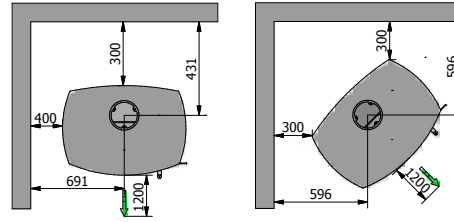
Combustion chamber's int. dim.	446-277-265 mm
Flue exit (diameter)	Ø150 mm
Distance to flammable with isolated chimney	200 mm
Distance to flammable using heatshield	200 mm

KEY FIGURES

Output (Nominal)	6,5 kW
Output (Min-max)	3-8 kW
Heat (at 20 degrees)	45-120 m ²
Efficiency	81 %
Particulates	1,8 g/kg

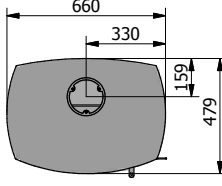
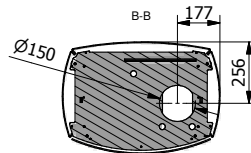
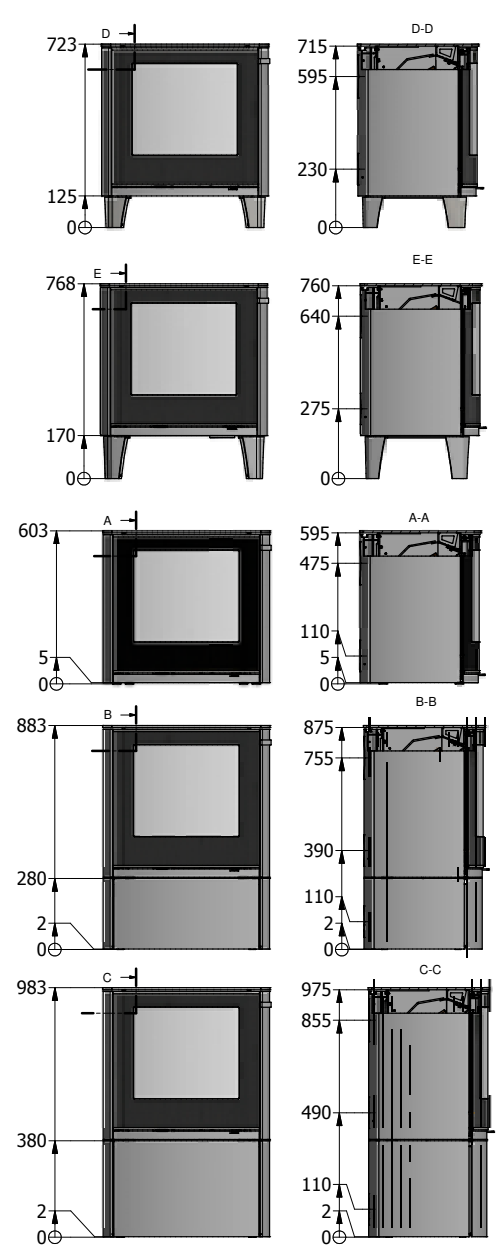
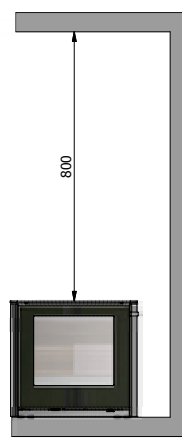
WEIGHT	146/146/140/163/166 kg
--------	------------------------

Flammable wall



Distance to rotate base = distance to furniture

Flammable ceiling



RAIS Q-TEE 2 C SST



TECHNICAL DATA:

DIMENSIONS (W-D-H)

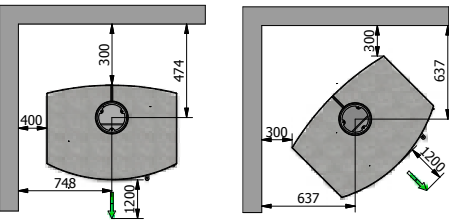
Combustion chamber's int. dim.	446-277-265 mm
Flue exit (diameter)	Ø150 mm
Distance to flammable with isolated chimney	200 mm

KEY FIGURES

Output (Nominal)	6,5 kW
Output (Min-max)	3-8 kW
Heat (at 20 degrees)	45-120 m ²
Efficiency	81 %
Particulates	1,8 g/kg

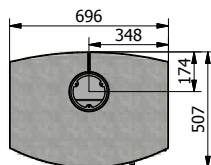
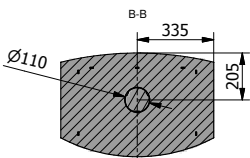
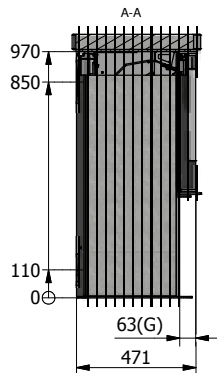
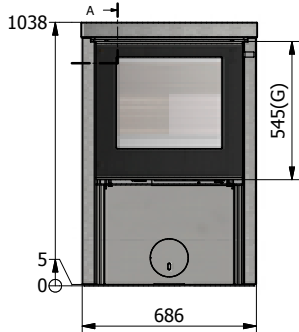
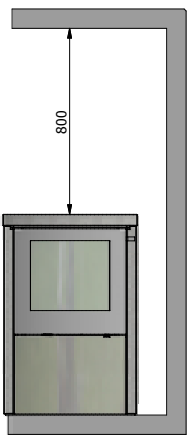
WEIGHT	335 kg
--------	--------

Flammable wall



Distance to rotate base = distance to furniture

Flammable ceiling



RAIS Q-BE / Q-BE XL



TECHNICAL DATA:

DIMENSIONS (W-D-H)

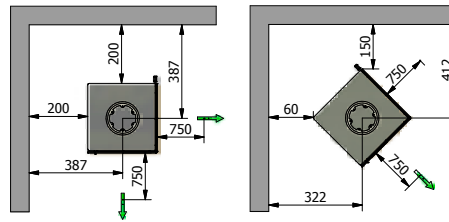
Combustion chamber's int. dim.	239-239-505 mm
Flue exit (diameter)	Ø150 mm

KEY FIGURES

Output (Nominal)	5,9 kW
Output (Min-max)	4-8 kW
Heat (at 20 degrees)	60-120 m ²
Efficiency	80 %
Particulates	1,4 g/kg

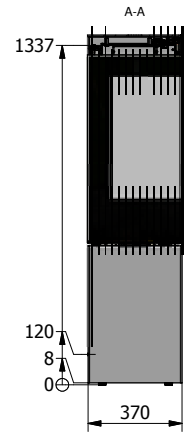
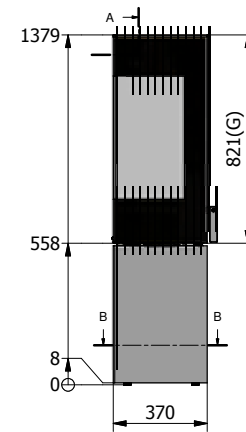
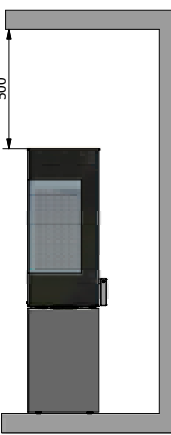
WEIGHT	135/165 kg
- heat accumulation stone	20 kg
- XL heat accumulation stonem	72 kg

Flammable wall

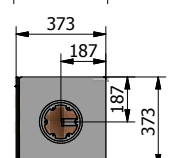
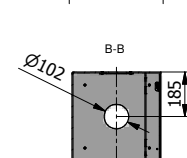
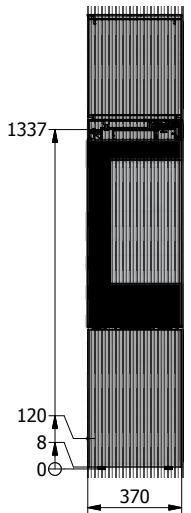
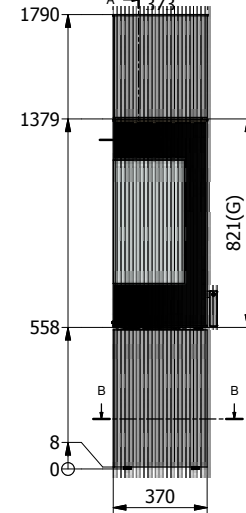
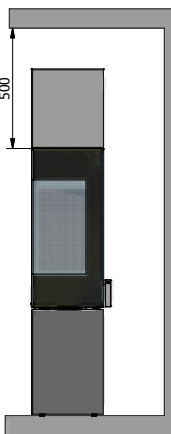


Distance to rotate base = distance to furniture

Flammable ceiling



Flammable ceiling



RAIS VISIO UNIQ



TECHNICAL DATA:

DIMENSIONS (W-D-H)

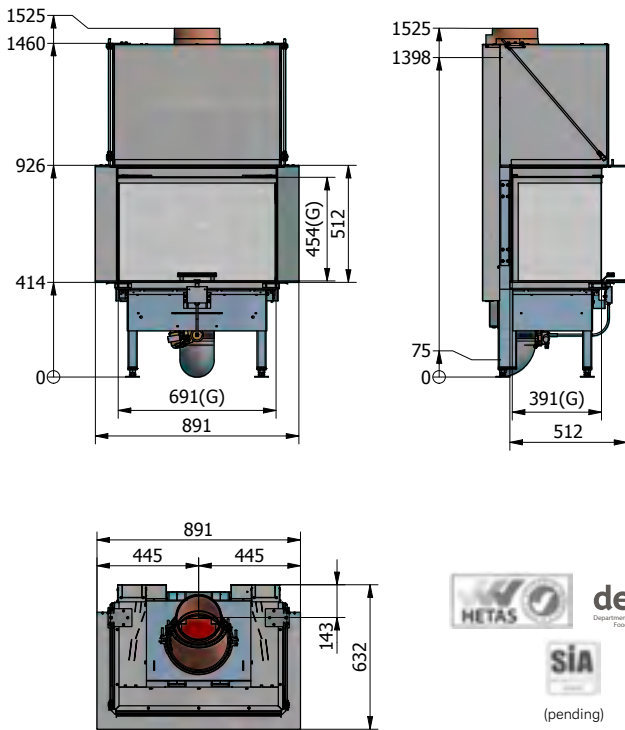
Combustion chamber's int. dim.	
Finished face opening	
Outer Frame Dimensions	
Flue exit (diameter)	
AirSystem connection	

KEY FIGURES

Output (Nominal)	
Output (Min-max)	
Heat (at 20 degrees)	
Efficiency	
Particulates	

N/A

WEIGHT



RAIS VISIO 1



TECHNICAL DATA:

DIMENSIONS (W-D-H)

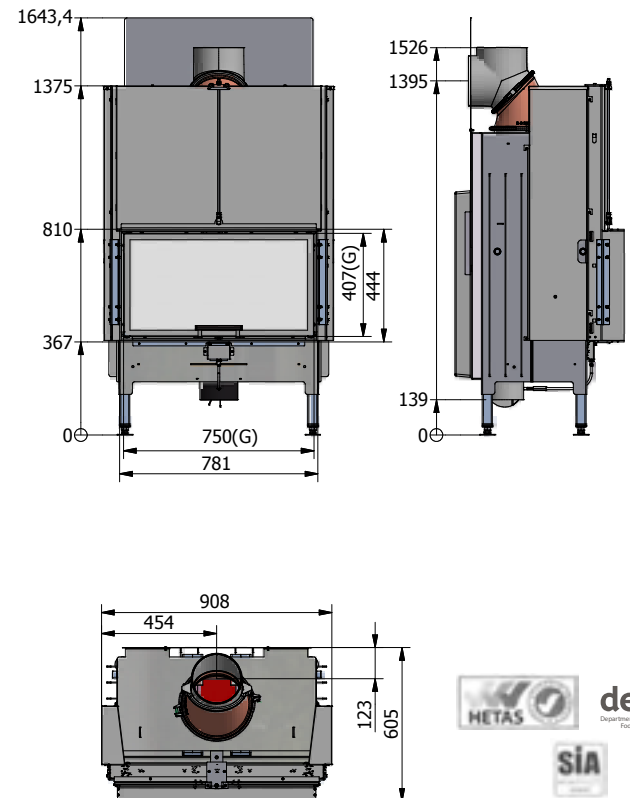
Combustion chamber's int. dim.	697-330-475 mm
Finished face opening	770-432 mm
Outer Frame Dimensions	781-444 mm
Flue exit (diameter)	200 mm
AirSystem connection	Ø150 mm

KEY FIGURES

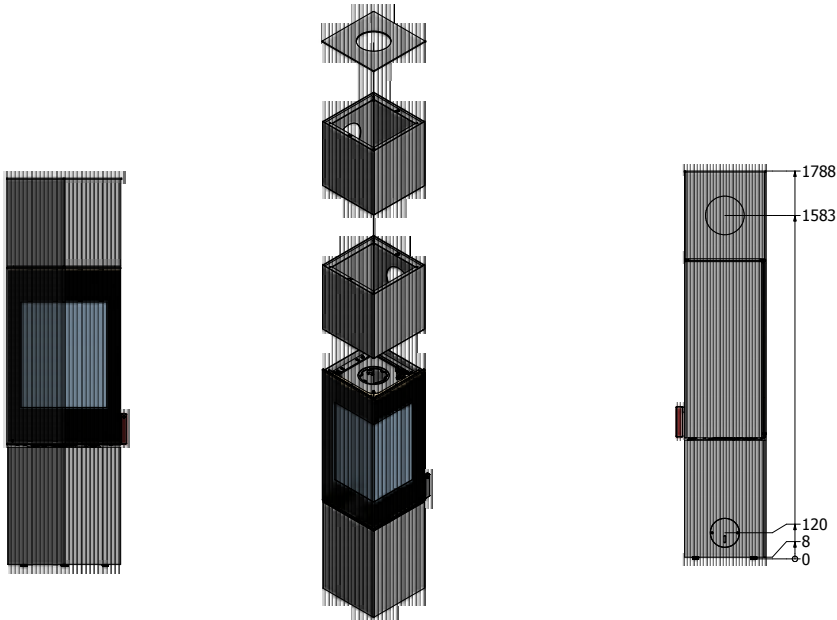
Output (Nominal)	7 kW
Output (Min-max)	5-9 kW
Heat (at 20 degrees)	75-135 m ²
Efficiency	80 %
Particulates	<6,5 g/kg

WEIGHT

280 kg



RAIS Q-BE / Q-BE XL



RAIS VISIO 2



TECHNICAL DATA:

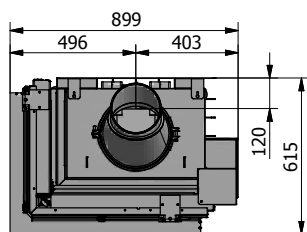
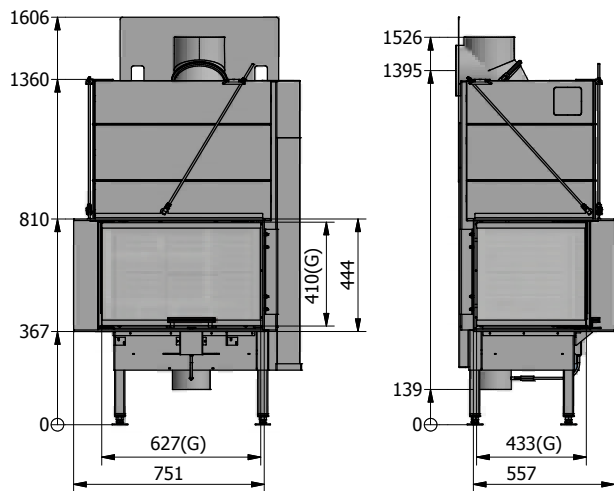
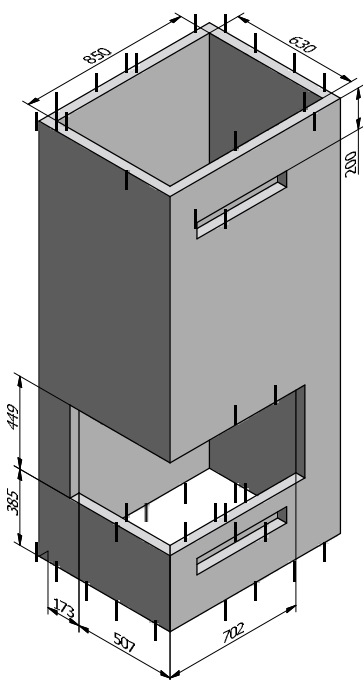
DIMENSIONS (W-D-H)

Combustion chamber's int. dim.	533-333-466 mm
Finished face opening	685-490-432 mm
Outer Frame Dimensions	751-557-444 mm
Flue exit (diameter)	200 mm
AirSystem connection	Ø150 mm

KEY FIGURES

Output (Nominal)	7 kW
Output (Min-max)	5-9 kW
Heat (at 20 degrees)	75-135 m ²
Efficiency	80 %
Particulates	<6,5 g/kg

WEIGHT	259 kg
--------	--------



RAIS VISIO 3



TECHNICAL DATA:

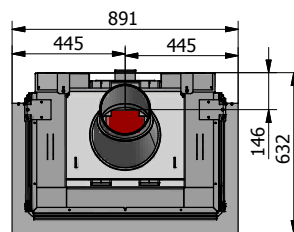
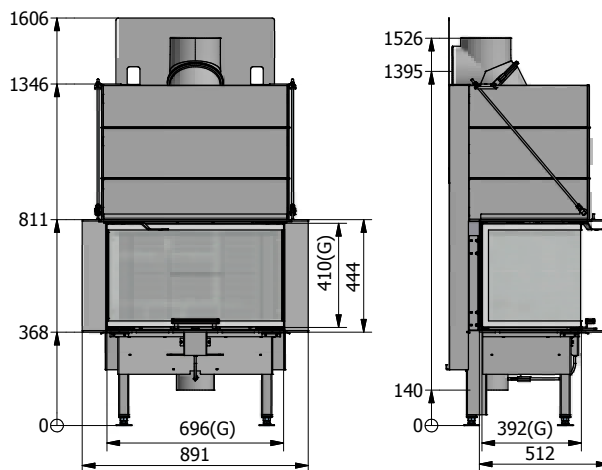
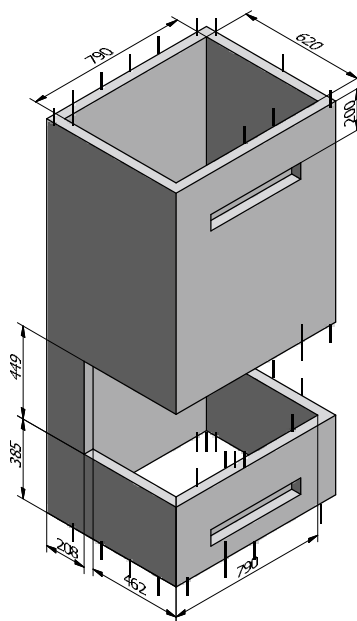
DIMENSIONS (W-D-H)

Combustion chamber's int. dim.	533-333-466 mm
Finished face opening	685-490-432 mm
Outer Frame Dimensions	891-512-444 mm
Flue exit (diameter)	200 mm
AirSystem connection	Ø150 mm

KEY FIGURES

Output (Nominal)	7 kW
Output (Min-max)	5-9 kW
Heat (at 20 degrees)	75-135 m ²
Efficiency	80 %
Particulates	<6,5 g/kg

WEIGHT	260 kg
--------	--------



RAIS VISIO 2 L

A+



TECHNICAL DATA:

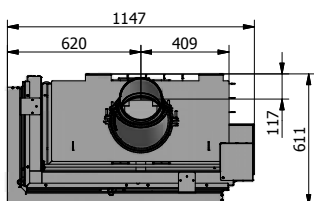
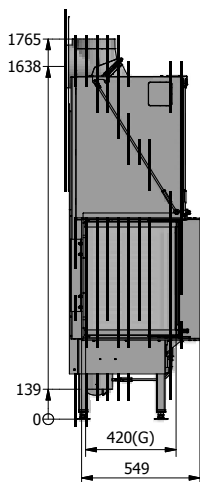
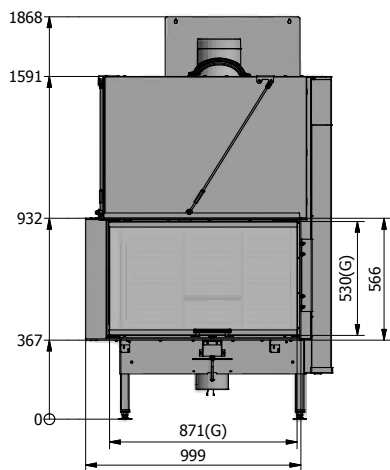
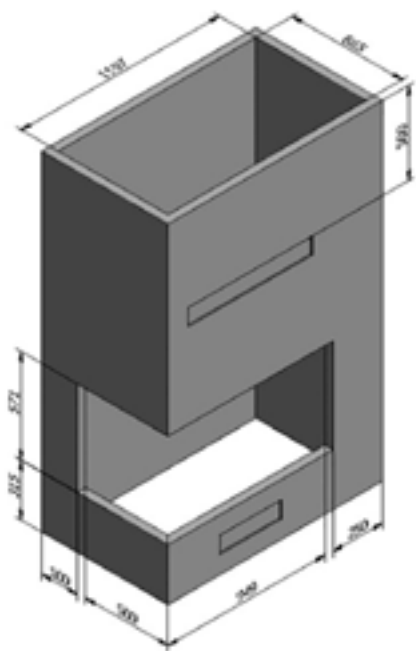
DIMENSIONS (W-D-H)

Combustion chamber's int. dim.	660-256-545 mm
Finished face opening	1088-504-504 mm
Outer Frame Dimensions	1088,6-504-563 mm
Flue exit (diameter)	200 mm
AirSystem connection	Ø150 mm

KEY FIGURES

Output (Nominal)	10,3 kW
Output (Min-max)	8-12 kW
Heat (at 20 degrees)	120-180 m ²
Efficiency	81 %
Particulates	1 g/kg

WEIGHT	293 kg
--------	--------



RAIS VISIO 3 L

A+



TECHNICAL DATA:

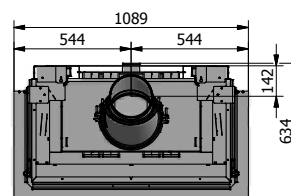
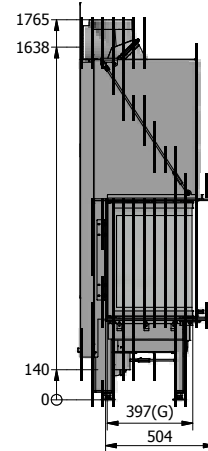
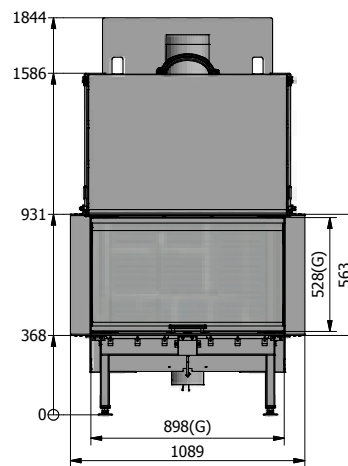
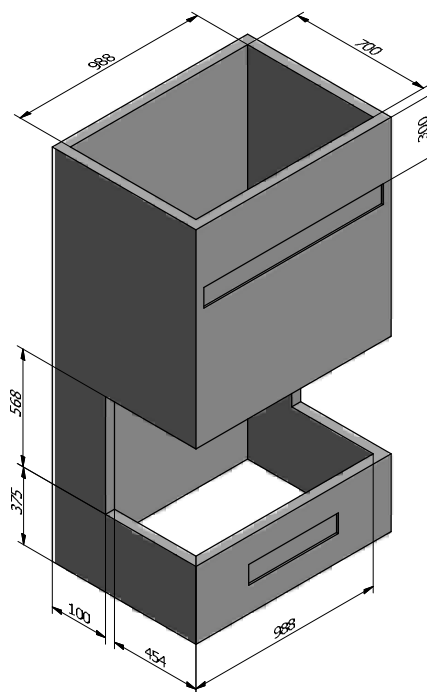
DIMENSIONS (W-D-H)

Combustion chamber's int. dim.	660-256-545 mm
Finished face opening	1088-504-504 mm
Outer Frame Dimensions	1088,6-504-563 mm
Flue exit (diameter)	200 mm
AirSystem connection	Ø150 mm

KEY FIGURES

Output (Nominal)	10,3 kW
Output (Min-max)	8-12 kW
Heat (at 20 degrees)	120-180 m ²
Efficiency	81 %
Particulates	1 g/kg

WEIGHT	293 kg
--------	--------



RAIS VISIO 2:1

A+



TECHNICAL DATA:

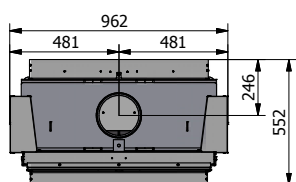
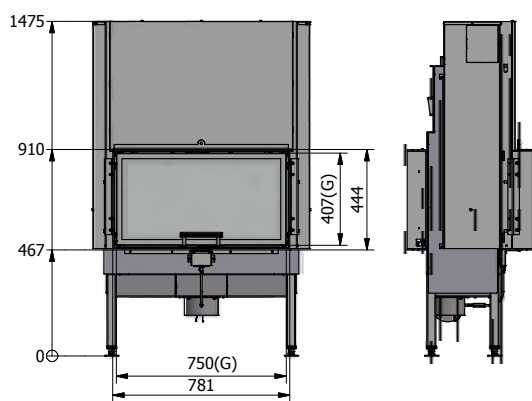
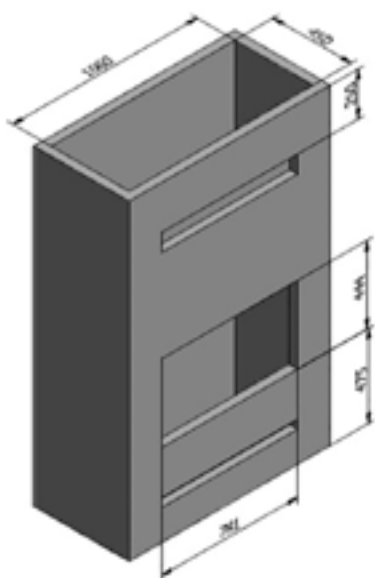
DIMENSIONS (W-D-H)

Combustion chamber's int. dim.	694-222-210 mm
Finished face opening	788-444 mm
Outer Frame Dimensions	781-444/788-443 mm
Flue exit (diameter)	Ø200 mm
AirSystem connection	Ø150 mm

KEY FIGURES

Output (Nominal)	8,6 kW
Output (Min-max)	5-9 kW
Heat (at 20 degrees)	75-135 m ²
Efficiency	80 %
Particulates	3,6 g/kg

WEIGHT	235 kg
--------	--------



RAIS VISIO 3:1

A+



TECHNICAL DATA:

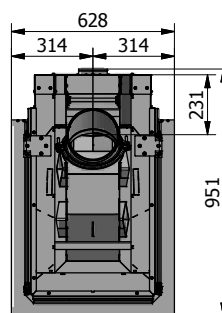
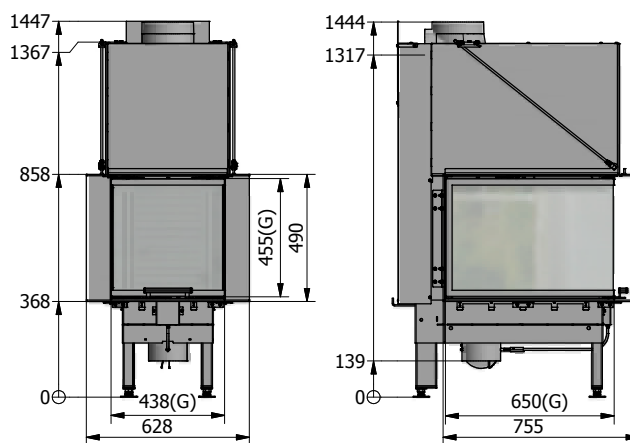
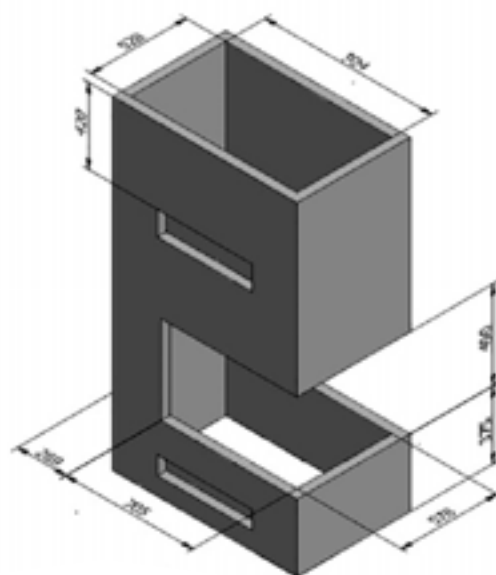
DIMENSIONS (W-D-H)

Combustion chamber's int. dim.	210-499-230 mm
Finished face opening	528-705-490 mm
Outer Frame Dimensions	528-750-490 mm
Flue exit (diameter)	200 mm
AirSystem connection	Ø150 mm

KEY FIGURES

Output (Nominal)	8,3 kW
Output (Min-max)	5-9 kW
Heat (at 20 degrees)	75-135 m ²
Efficiency	80 %
Particulates	5,7 g/kg

WEIGHT	260 kg
--------	--------



RAIS 500^{1/2/3}

TECHNICAL DATA:

DIMENSIONS (W-D-H)

Combustion chamber's int. dim.	
Finished face opening	
Outer Frame Dimensions	
Flue exit (diameter)	
AirSystem connection	

KEY FIGURES

Output (Nominal)	
Output (Min-max)	
Heat (at 20 degrees)	
Efficiency	
Particulates	

WEIGHT

N/A



DOOR WITH GLASS



DOOR STEEL FRAME



RAIS 600¹

TECHNICAL DATA:

DIMENSIONS (W-D-H)

Combustion chamber's int. dim.	544-256-471	mm
Finished face opening	730-615	mm
Outer Frame Dimensions	758-627	mm
Flue exit (diameter)	Ø150	mm
AirSystem connection	Ø100	mm

KEY FIGURES

Output (Nominal)	5.8	kW
Output (Min-max)	2-8	kW
Heat (at 20 degrees)	30-120	m ²
Efficiency	76	%
Particulates	<1.8	g/kg

WEIGHT

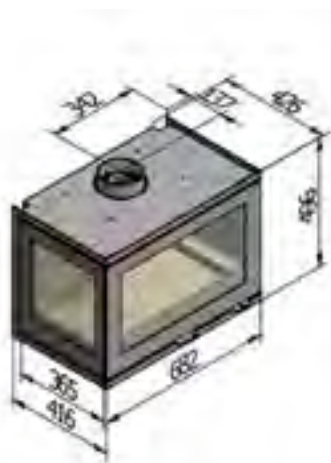
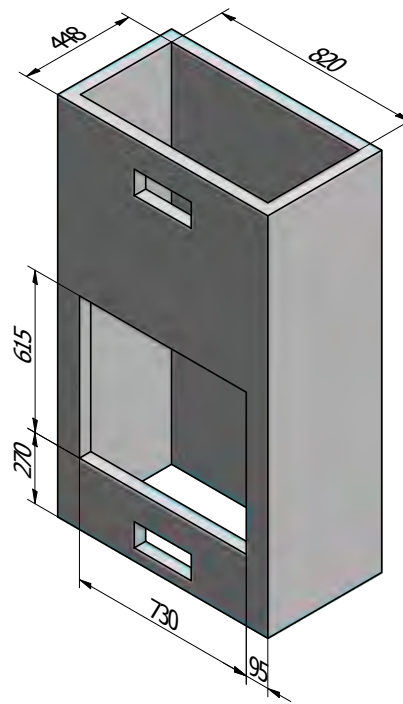
99 kg



LÅGE MED GLAS



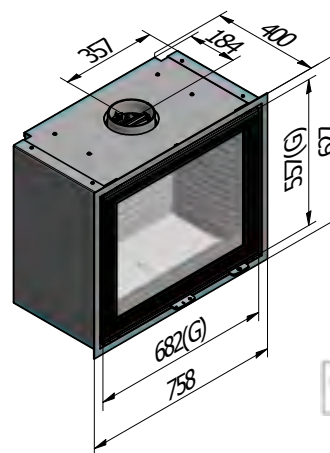
LÅGE STÅLRAMME



defra
Department for Environmental
Food and Rural Affairs



(pending)



defra
Department for Environmental
Food and Rural Affairs



(pending)

RAIS 600²

TECHNICAL DATA:

DIMENSIONS (W-D-H)

Combustion chamber's int. dim.	544-256-471 mm
Finished face opening	704-375-615 mm
Outer Frame Dimensions	721-391-627 mm
Flue exit (diameter)	Ø150 mm
AirSystem connection	Ø100 mm

KEY FIGURES

Output (Nominal)	5,8 kW
Output (Min-max)	2-8 kW
Heat (at 20 degrees)	30-120 m ²
Efficiency	76 %
Particulates	<1,8 g/kg

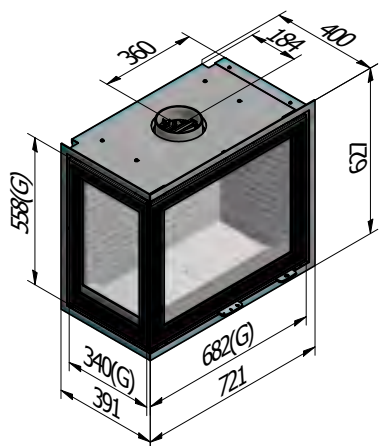
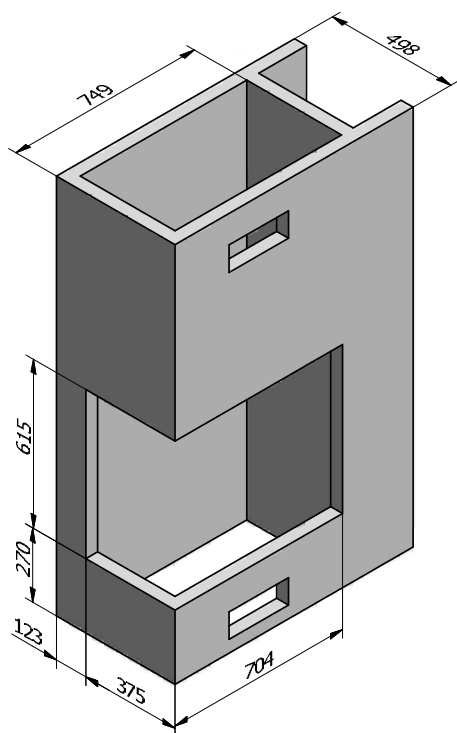
WEIGHT	99 kg
--------	-------



DOOR WITH GLASS



DOOR STEEL FRAME



(pending)

RAIS 600³

TECHNICAL DATA:

DIMENSIONS (W-D-H)

Combustion chamber's int. dim.	544-256-471 mm
Finished face opening	678-375-615 mm
Outer Frame Dimensions	684-391-627 mm
Flue exit (diameter)	Ø150 mm
AirSystem connection	Ø100 mm

KEY FIGURES

Output (Nominal)	5,8 kW
Output (Min-max)	2-8 kW
Heat (at 20 degrees)	30-120 m ²
Efficiency	76 %
Particulates	<1,8 g/kg

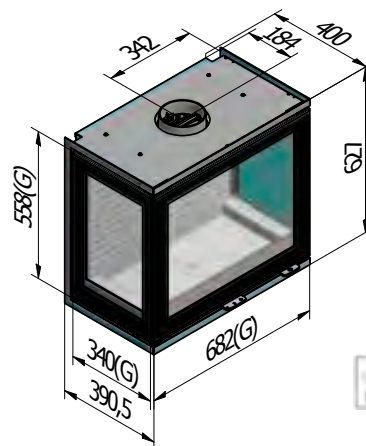
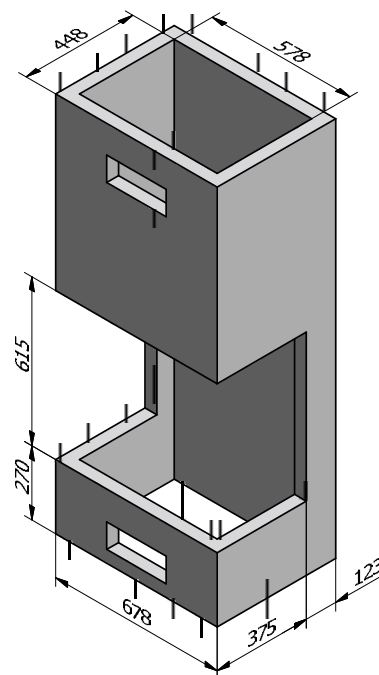
WEIGHT	99 kg
--------	-------



DOOR WITH GLASS



DOOR STEEL FRAME



(pending)

RAIS 700

TECHNICAL DATA:

DIMENSIONS (W-D-H)

Combustion chamber's int. dim.	562-290-300 mm
Finished face opening	840-545 mm
Outer Frame Dimensions	864-574 mm
Flue exit (diameter)	Ø150 mm
AirSystem connection	Ø100 mm

KEY FIGURES

Output (Nominal)	5,2 kW
Output (Min-max)	3-7 kW
Heat (at 20 degrees)	45-105 m ²
Efficiency	80 %
Particulates	<2,59 g/kg

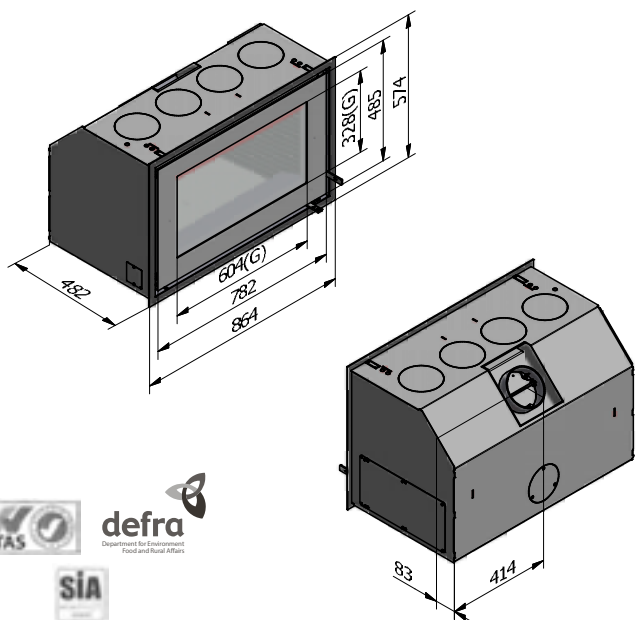
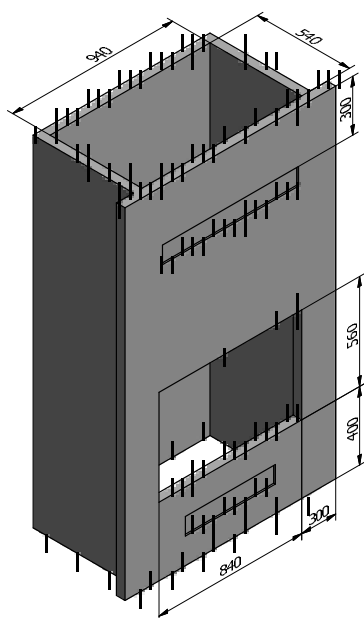
WEIGHT	125 kg
--------	--------



DOOR STEEL FRAME



DOOR WITH GLASS



RAIS 900

TECHNICAL DATA:

DIMENSIONS (W-D-H)

Combustion chamber's int. dim.	700-200-230 mm
Finished face opening	972-479 mm
Outer Frame Dimensions	1002-506 mm
Flue exit (diameter)	Ø150 mm
AirSystem connection	Ø100 mm

KEY FIGURES

Output (Nominal)	6,9 kW
Output (Min-max)	5-9 kW
Heat (at 20 degrees)	75-135 m ²
Efficiency	79 %
Particulates	<2,0 g/kg

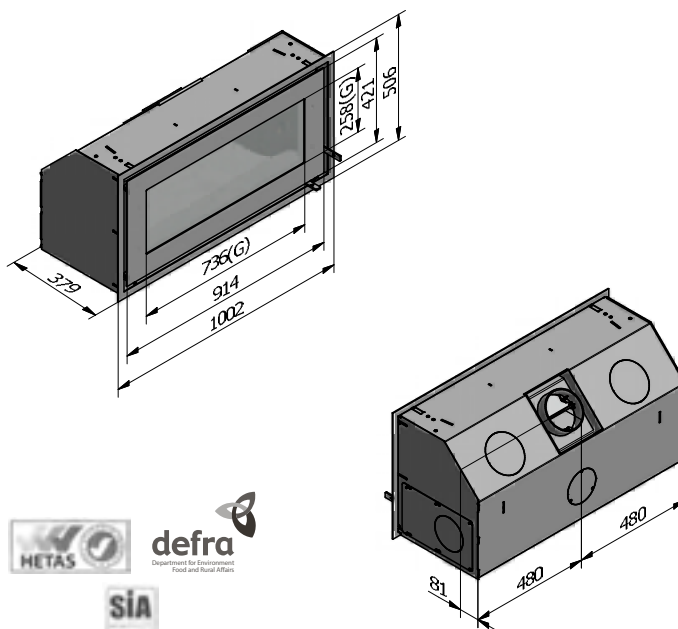
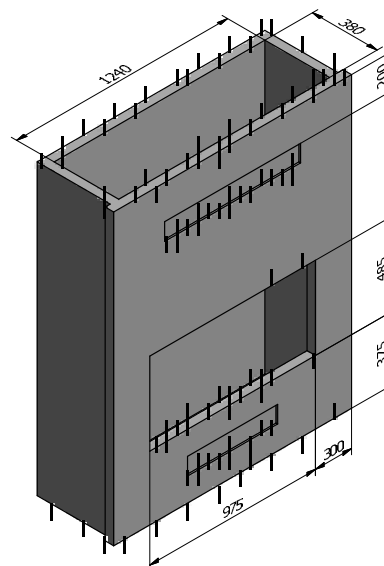
WEIGHT	120 kg
--------	--------



DOOR STEEL FRAME



DOOR WITH GLASS



RAIS 2:1

TECHNICAL DATA:

DIMENSIONS (W-D-H)

Combustion chamber's int. dim.	500-244-374 mm
Finished face opening	736-477 mm
Outer Frame Dimensions	736-477 mm
Flue exit (diameter)	Ø150 mm
AirSystem connection	Ø100 mm

KEY FIGURES

Output (Nominal)	6 kW
Output (Min-max)	3-9 kW
Heat (at 20 degrees)	45-135 m ²
Efficiency	79 %
Particulates	3,7 g/kg

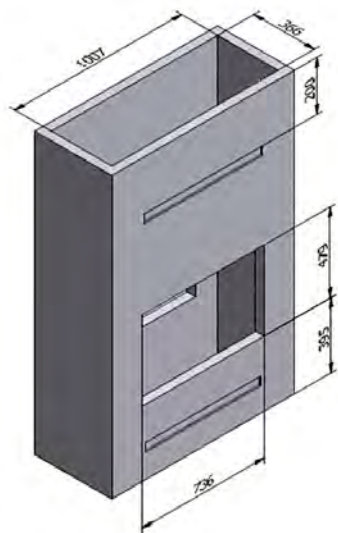
WEIGHT	140 kg
--------	--------



DOOR WITH GLASS



DOOR STEEL FRAME



RAIS Q-BE INSERT

TECHNICAL DATA:

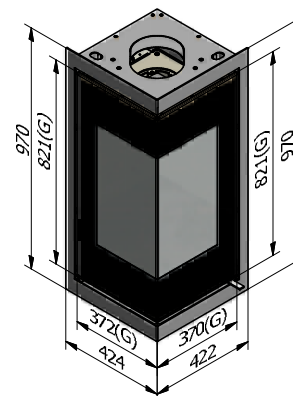
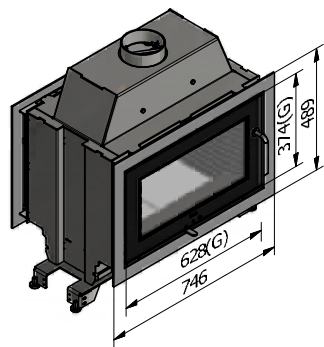
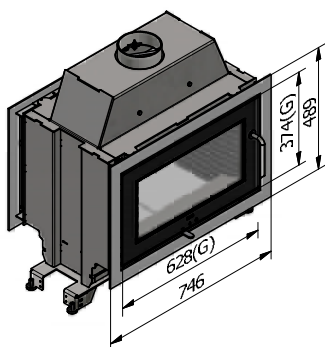
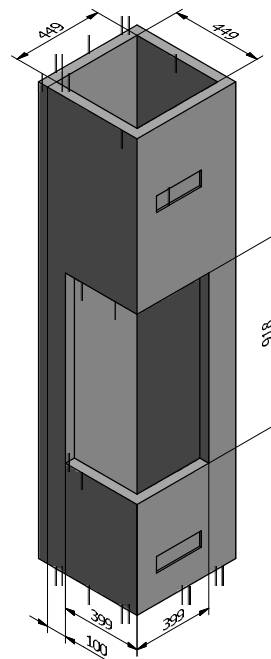
DIMENSIONS (W-D-H)

Combustion chamber's int. dim.	239-239-505 mm
Finished face opening	405/405-925 mm
Outer Frame Dimensions	422/424-970 mm
Flue exit (diameter)	Ø150 mm
AirSystem connection	Ø100 mm

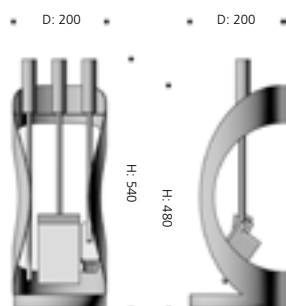
KEY FIGURES

Output (Nominal)	5,9 kW
Output (Min-max)	3-7 kW
Heat (at 20 degrees)	45-105 m ²
Efficiency	80 %
Particulates	1,4 g/kg

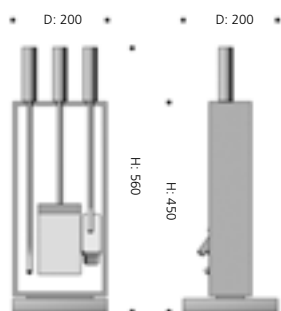
WEIGHTGT	110 kg
----------	--------



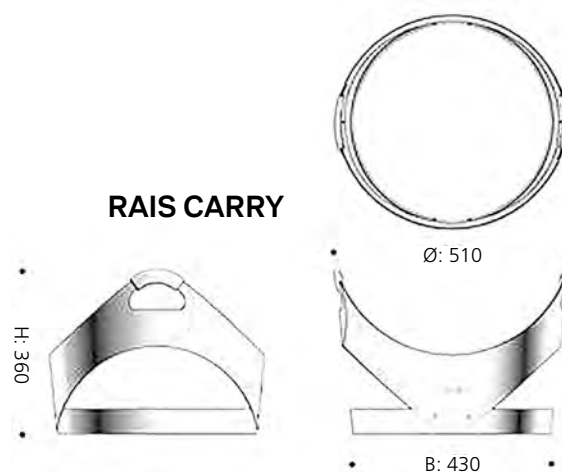
RAIS BUTEO



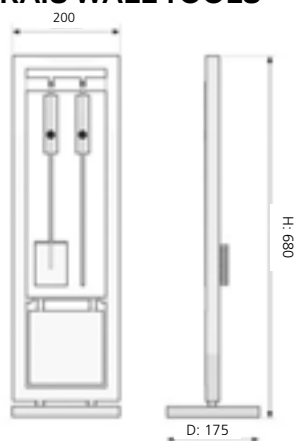
RAIS TETRA



RAIS CARRY



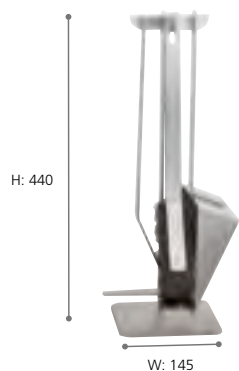
RAIS WALL TOOLS



RAIS LIGHTING



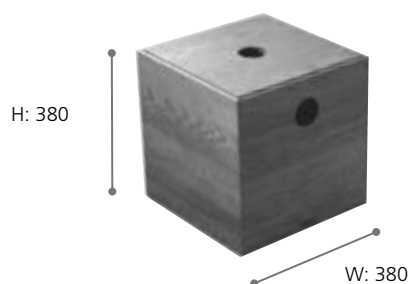
RAIS SOLO



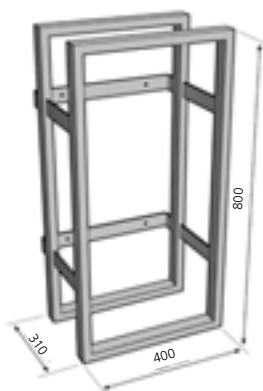
RAIS WOODY



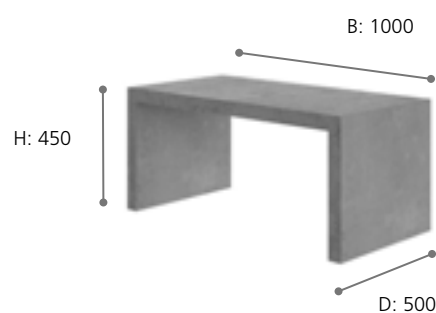
RAIS WOODBOX



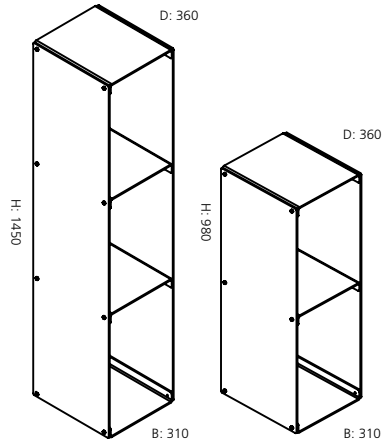
RAIS WOODFRAME



RAIS CONSTANT



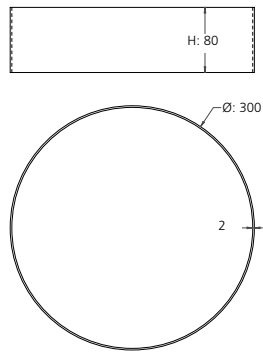
RAIS WOODRACK



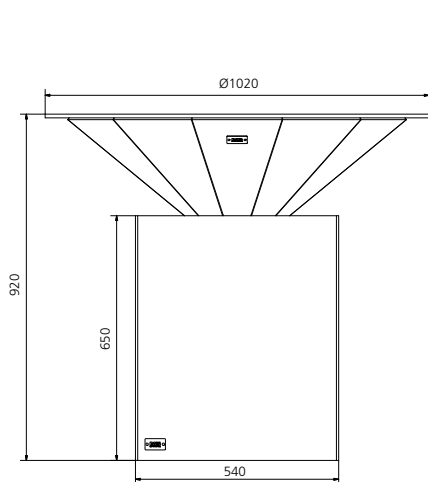
RAIS WOODWALL



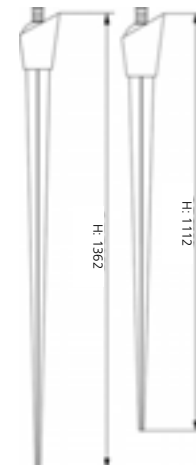
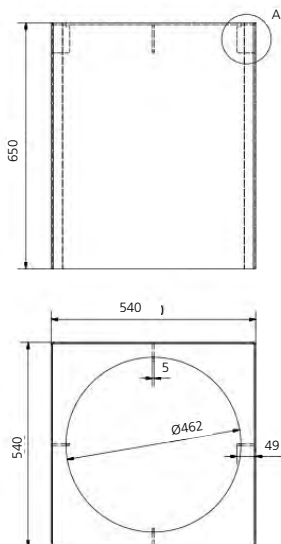
RAIS RA



RAIS CIRCLE



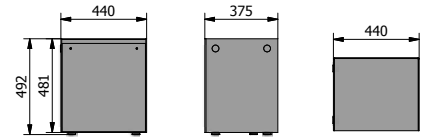
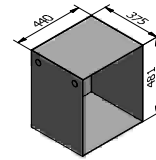
RAIS CONE



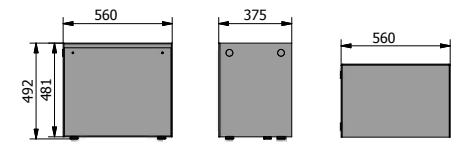
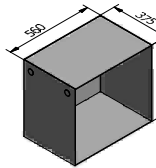


NEXO

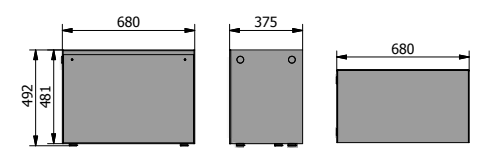
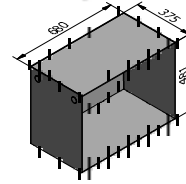
SMALL BENCH



MEDIUM BENCH

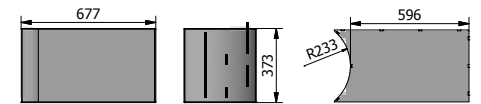
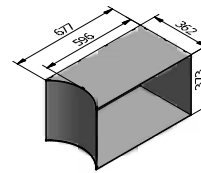


LARGE BENCH



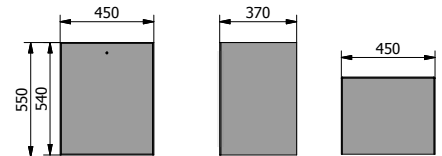
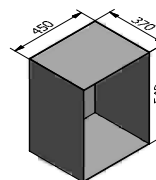
VIVAL

SIDE BENCH

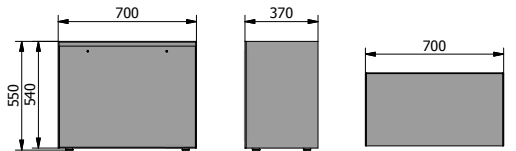
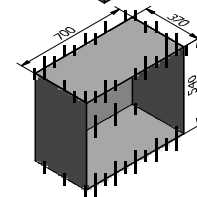


Q-BE

SMALL BENCH

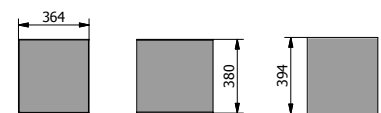
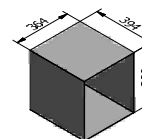


LARGE BENCH

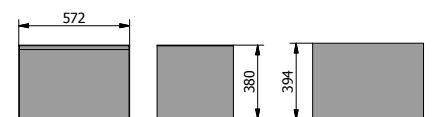
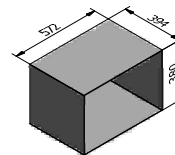


Q-TEE II

HIGH BENCH

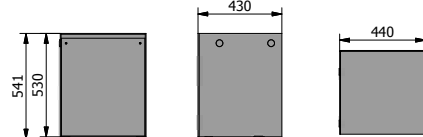
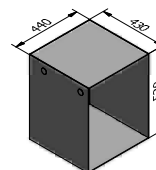


WIDE BENCH

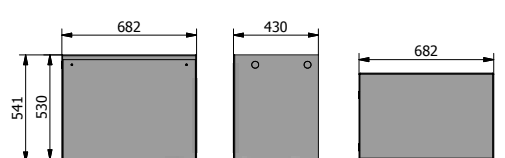
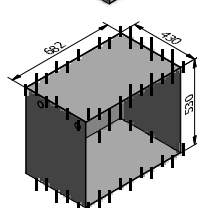


600 MAX

440 MM



LARGE BENCH





Our continuous technical development may affect the specifications and lead to changes in colours and accessories. Errors in the text, data and photos may occur.



**CRAFTSMANSHIP
& NORDIC DESIGN**



THE RIGHT CHOICE FOR QUALITY & MODERN LIVING

www.rais.com

RAIS[®]

facebook

Instagram

Pinterest